

# MBA

MICHAEL BARR AUDIO TECHNOLOGY



Outdoor 2026 US Catalog



## Outdoor Products

### Loudspeakers

MBA Elite Sausalito 6.5"	<a href="#">Spec Sheet</a>
MBA Elite Belvedere 8"	<a href="#">Spec Sheet</a>
MBA Elite Bullet 8"	<a href="#">Spec Sheet</a>

### Subwoofers

MBES5 Outdoor Sub 12"	<a href="#">Spec Sheet</a>
Montecito ENCL 12"	<a href="#">Spec Sheet</a>
MBS4 Outdoor Sub 18"	<a href="#">Spec Sheet</a>

### Custom

[Information](#)

### Electronics

200.6 Amplifier	<a href="#">Spec Sheet</a>
300.8 Amplifier	<a href="#">Spec Sheet</a>
1250.2 Amplifier	<a href="#">Spec Sheet</a>
12x12 DSP	<a href="#">Spec Sheet</a>

### Services

Off-Site Engineering	<a href="#">Information</a>
On-Site Engineering	<a href="#">Information</a>

### Sample Systems

[Information](#)

## MBA Elite Sausalito ENCL

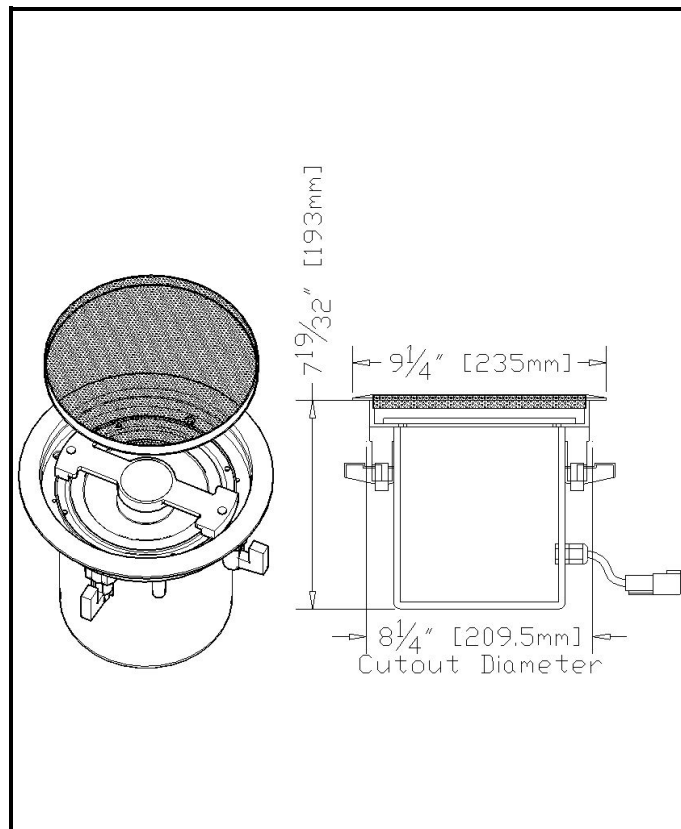


The MBA Elite Sausalito loudspeaker system integrates a MBA Elite Marine 6.5" curvilinear aluminum cone woofer driver with the MBA Elite 30mm Aluminum-dome marine tweeter, providing the MBA Elite Sausalito with extended SPL and the most critical performance benefits of the renowned MBA Elite tweeter. Constructed with an integrated gelcoated resin enclosure and an aluminum driver baffle with Awlgrip finish.

### **Grilles**

This loudspeaker comes standard with a stainless steel grill finished with Awlgrip. However, many other custom grille options exist.

[Click here to see a few grille examples](#)



### **Specifications**

<b>Model</b> MBA Elite Sausalito ENCL	<b>Channels</b> 1
<b>Maximum SPL @ 1m</b> 125dB	<b>Frequency Response</b> 34Hz-24kHz
<b>Minimum Amplifier Power</b> 300W @ 4Ω	<b>Maximum Amplifier Power</b> 650W @ 4Ω
<b>Nominal Impedance</b> 4Ω	<b>Sensitivity</b> 89dB

### **Recommended Amplification**

**MBA 300.8 Amplifier**

[Previous Page](#)

[Return To Product List](#)

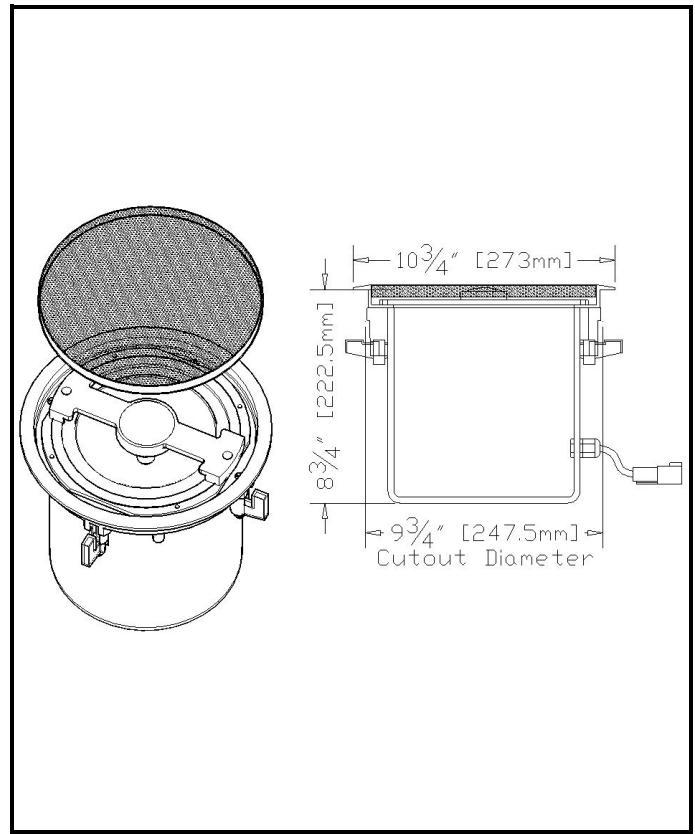
## MBA Elite Belvedere ENCL



The MBA Elite Belvedere loudspeaker system integrates a MBA Elite Marine 8" curvilinear aluminum cone woofer driver with the MBA Elite 30mm Aluminum-dome marine tweeter, providing the MBA Elite Sausalito with extended SPL and the most critical performance benefits of the renowned MBA Elite tweeter. Constructed with an integrated gelcoated resin enclosure and an aluminum driver baffle with Awlgrip finish.

### **Grilles**

This loudspeaker comes standard with a stainless steel grill finished with Awlgrip. However, many other custom grille options exist.



[Click here to see a few grille examples](#)

### **Specifications**

<b>Model</b> MBA Elite Belvedere ENCL	<b>Channels</b> 1
<b>Maximum SPL @ 1m</b> 125dB	<b>Frequency Response</b> 30Hz-24kHz
<b>Minimum Amplifier Power</b> 300W @ 4Ω	<b>Maximum Amplifier Power</b> 650W @ 4Ω
<b>Nominal Impedance</b> 4Ω	<b>Sensitivity</b> 89dB

### **Recommended Amplification**

**MBA 300.8 Amplifier**

[Previous Page](#)

[Return To Product List](#)

## MBA Elite Bullet

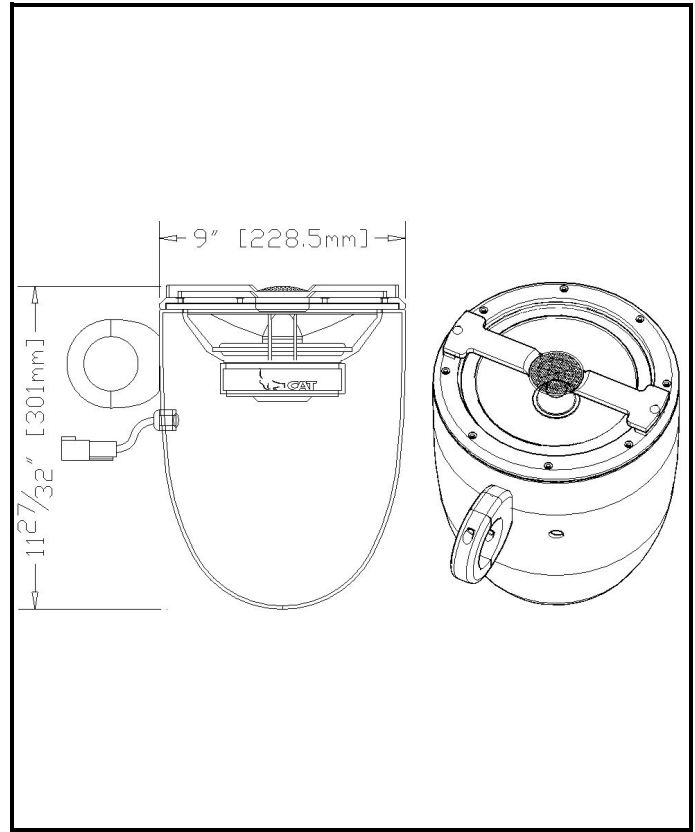


The MBA Elite Bullet loudspeaker system integrates a MBA Elite Marine 8" curvilinear aluminum cone woofer driver with the MBA Elite 30mm Aluminum-dome marine tweeter, providing the MBA Elite Bullet with extended SPL and the most critical performance benefits of the renowned MBA Elite tweeter. Constructed of all aluminum with Awlgrip finish. Available mounting options include side pole-mount, top pole-mount, railing, ceiling or wall brackets, or any custom mounting style you desire (custom charges may apply).

### **Grilles**

This loudspeaker comes standard with a stainless steel grill finished with Awlgrip. However, many other custom grille options exist.

[Click here to see a few grille examples](#)



### **Specifications**

<b>Model</b> MBA Elite Bullet	<b>Channels</b> 1
<b>Maximum SPL @ 1m</b> 125dB	<b>Frequency Response</b> 30Hz-24kHz
<b>Minimum Amplifier Power</b> 300W @ 4Ω	<b>Maximum Amplifier Power</b> 650W @ 4Ω
<b>Nominal Impedance</b> 4Ω	<b>Sensitivity</b> 89dB

### **Recommended Amplification**

**MBA 300.8 Amplifier**

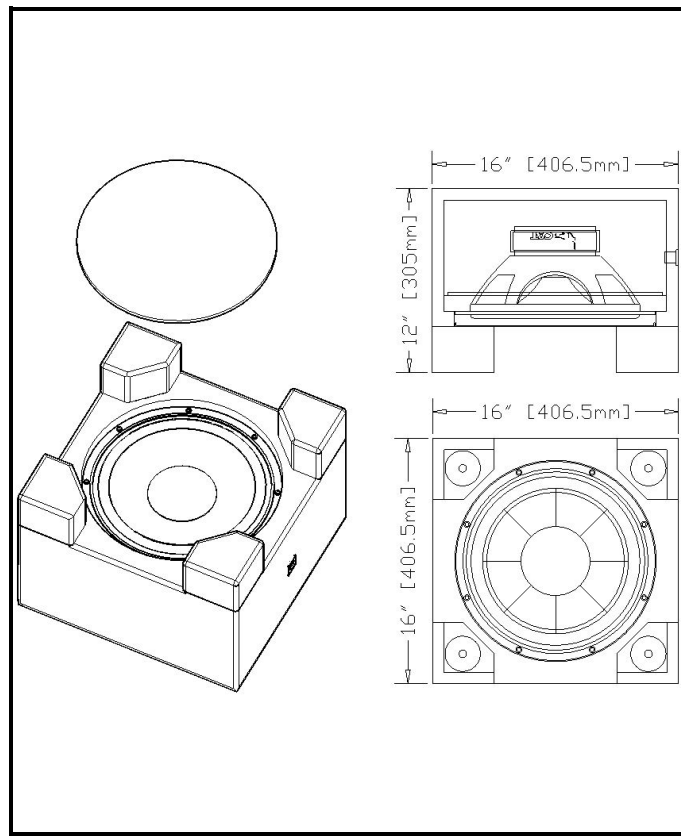
[Previous Page](#)

[Return To Product List](#)

## MBA Elite S5 Outdoor Subwoofer



This 12" curvilinear aluminum cone subwoofer will accurately reproduce low frequencies down below 20Hz. Constructed with a marine-grade ply enclosure and a 1.5" MBX105 ultra high-density driver baffle (MBA proprietary fiber-reinforced composite). This downward-firing subwoofer has adjustable leveling feet, an FR4 fiberglass resin grill, and an extremely durable heavy duty paint to withstand the harshest environments, integrated with your landscaping in planters, near your pool, hidden in foliage, or anywhere else.



### Specifications

<b>Model</b> MBA Elite S5 Outdoor Subwoofer	<b>Channels</b> 1
<b>Maximum SPL @ 1m</b> 129dB	<b>Frequency Response</b> 20Hz-1kHz
<b>Minimum Amplifier Power</b> 300W @ 4Ω	<b>Maximum Amplifier Power</b> Unlimited* @ 4Ω
<b>Nominal Impedence</b> 4Ω	<b>Sensitivity</b> 90dB

*\*Unlimited max. clean power, when calibrated by Michael Barr Audio Technology w/ MBX DSP*

### Recommended Amplification

**MBX 1250.2 Amplifier**

**MBA 300.8 Amplifier**

[Previous Page](#)

[Return To Product List](#)

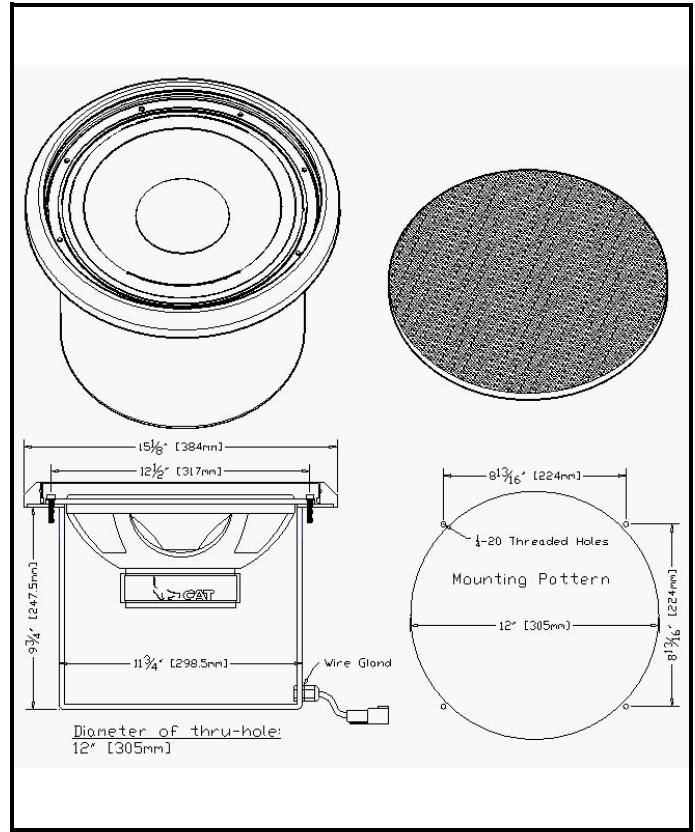
## MBA Elite Montecito



This 12" curvilinear aluminum cone subwoofer will accurately reproduce low frequencies down below 20Hz. Constructed of all aluminum, with an Awlgrip finished frame and gelcoat-finished integrated enclosure.

### Grilles

This loudspeaker comes standard with a stainless steel grill finished with Awlgrip. However, many other custom grille options exist.



[Click here to see a few grille examples](#)

### Specifications

<b>Model</b>	MBA Elite Montecito	<b>Channels</b>	1
<b>Maximum SPL @ 1m</b>	129dB	<b>Frequency Response</b>	20Hz-1kHz
<b>Minimum Amplifier Power</b>	300W @ 4Ω	<b>Maximum Amplifier Power</b>	Unlimited* @ 4Ω
<b>Nominal Impedance</b>	4Ω	<b>Sensitivity</b>	90dB

*\*Unlimited max. clean power, when calibrated by Michael Barr Audio Technology w/ MBX DSP*

### Recommended Amplification

[MBX 1250.2 Amplifier](#)

[MBA 300.8 Amplifier](#)

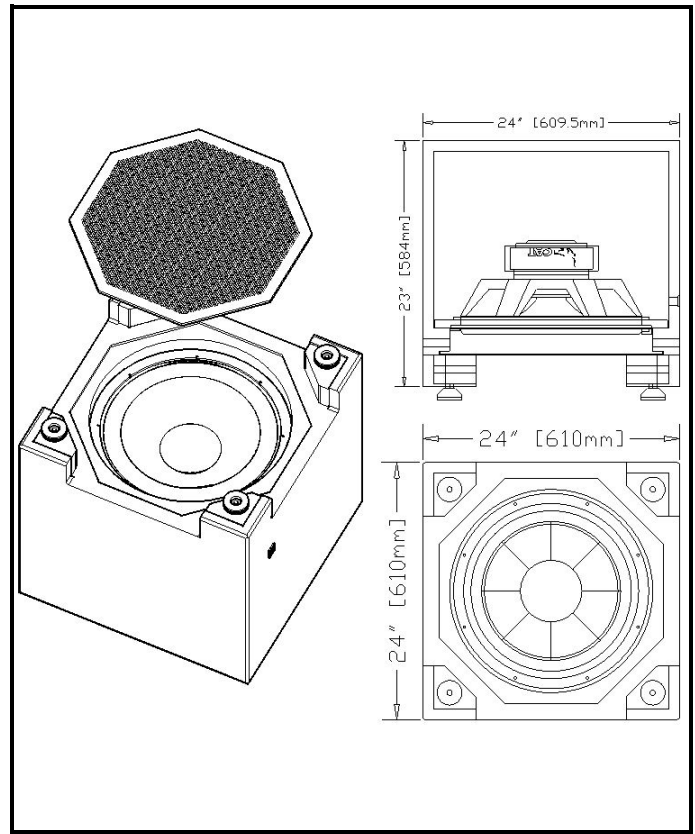
[Previous Page](#)

[Return To Product List](#)

## MBA S4 Outdoor Subwoofer



This 18" curvilinear aluminum cone subwoofer will accurately reproduce low frequencies down below 15Hz. Constructed with a marine-grade ply enclosure and a 1.5" MBX105 ultra high-density driver baffle (MBA proprietary fiber-reinforced composite). This downward-firing subwoofer has adjustable leveling feet, an FR4 fiberglass resin grill, and an extremely durable heavy duty paint to withstand the harshest environments, integrated with your landscaping in planters, near your pool, hidden in foliage, or anywhere else.



### Specifications

<b>Model</b> MBA S4 Outdoor Subwoofer	<b>Channels</b> 1
<b>Maximum SPL @ 1m</b> 128dB	<b>Frequency Response</b> 10Hz-1000kHz
<b>Minimum Amplifier Power</b> 300W @ 4Ω	<b>Maximum Amplifier Power</b> 650W @ 4Ω
<b>Nominal Impedence</b> 4Ω	<b>Sensitivity</b> 90dB

### Recommended Amplification

**MBA 300.8 Amplifier**

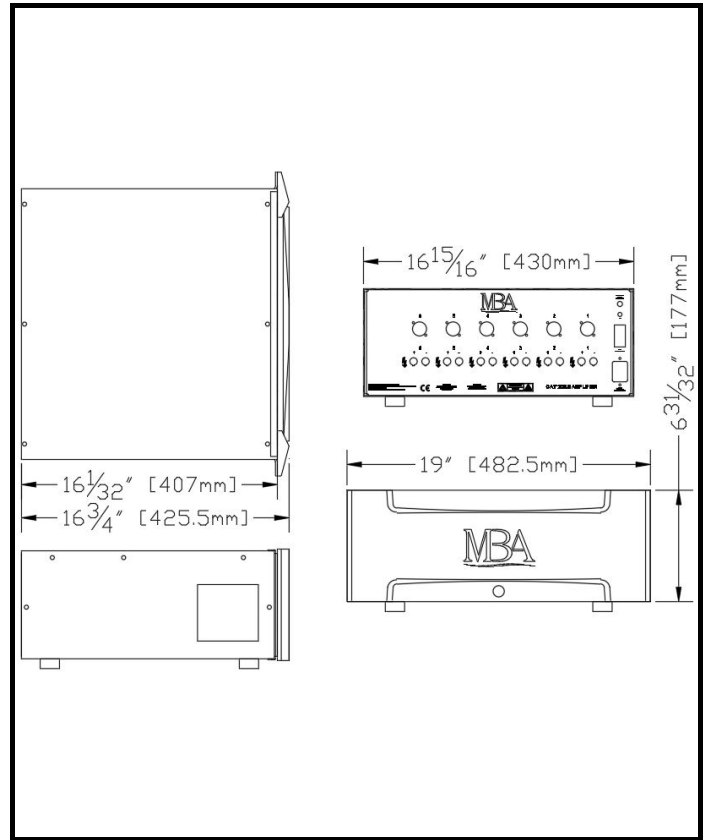
[Previous Page](#)

[Return To Product List](#)

## MBA 200.6 Amplifier



The MBA 200.6 High Definition Power Amplifier delivers fast, accurate & clean power. Utilizing large, custom, audiophile quality, high-current toroidal transformers, filter capacitors and output transistors. This amp delivers over 200 pure watts x 6 channels into 4 ohm loads and can properly power demanding loudspeaker loads down to 2 ohms! Gold flashed circuit boards, and XLR isolation transformer protected inputs are some key performance features!



### Specifications

<b>Model</b> MBA 200.6	<b>Signal to Noise Ration "A Weighted"</b> > 120dB Below FTC Full Power
<b>Heat Dissipation</b> 2350 BTU/Hour	<b>Crosstalk</b> > -100dB from 20Hz-20kHz
<b>Amplifier Class</b> Class AB	<b>Slew Rate</b> 40 Volts/ $\mu$ s
<b>Output Power (All Ch. Driven)</b> 200W @ 4 $\Omega$	<b>Mains and Power Supply</b> C19 (20 Amp)
<b>Power Supply Type</b> Toroidal	<b>Power Outputs</b> 6
<b>Main Rating</b> 115V 15A / 230V 8A	<b>Inputs (Quantity and Type)</b> 6 - XLR
<b>Frequency Response</b> 5Hz-55kHz +/- 3dB	<b>Weight</b> 43 kg
<b>Distortion THD+N (20Hz-10kHz)</b> < 0.3% @ FTC Full Power	<b>Dimensions (W x H x D)</b> 483mm x 177mm x 419mm

[Previous Page](#)

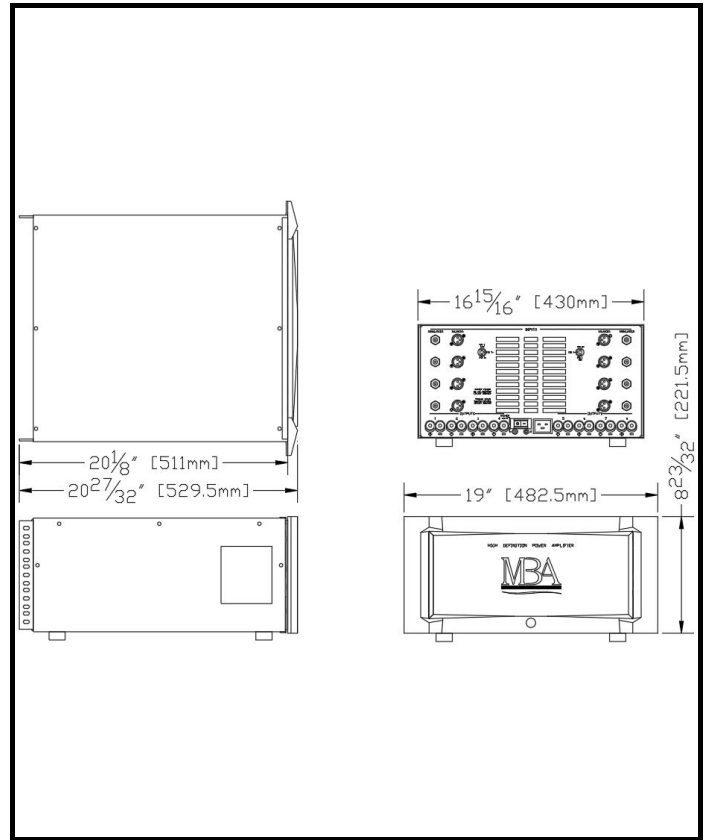
[Return To Product List](#)

## MBA 300.8 SE Amplifier

# MBA

MICHAEL BARR AUDIO TECHNOLOGY

The MBA 300.8 SE High Definition Power Amplifier delivers fast, accurate & clean power. Utilizing extremely large, custom, audiophile quality, high-current toroidal transformers, filter capacitors and output transistors. This amp delivers over 300 pure watts x 8 channels into 4 ohm loads and can properly power demanding loudspeaker loads down to 2 ohms! Tunnel ram quiet-fan cooled, gold flashed circuit boards, XLR isolation transformer protected inputs & "Lightwave" optical comparator protection are some key performance features!



### Specifications

<b>Model</b> MBA 300.8 SE	<b>Signal to Noise Ration "A Weighted"</b> > 120dB Below FTC Full Power
<b>Heat Dissipation</b> 2350 BTU/Hour	<b>Crosstalk</b> > -100dB from 20Hz-20kHz
<b>Amplifier Class</b> Class AB	<b>Slew Rate</b> 40 Volts/μs
<b>Output Power (All Ch. Driven)</b> 300W @ 4Ω	<b>Mains and Power Supply</b> C19 (20 Amp)
<b>Power Supply Type</b> Toroidal	<b>Power Outputs</b> 8
<b>Main Rating</b> 115V 15A / 230V 8A	<b>Inputs (Quantity and Type)</b> 8 - XLR
<b>Frequency Response</b> 5Hz-55kHz +/- 3dB	<b>Weight</b> 61 kg
<b>Distortion THD+N (20Hz-10kHz)</b> < 0.3% @ FTC Full Power	<b>Dimensions (W x H x D)</b> 483mm x 222mm x 530mm

[Previous Page](#)

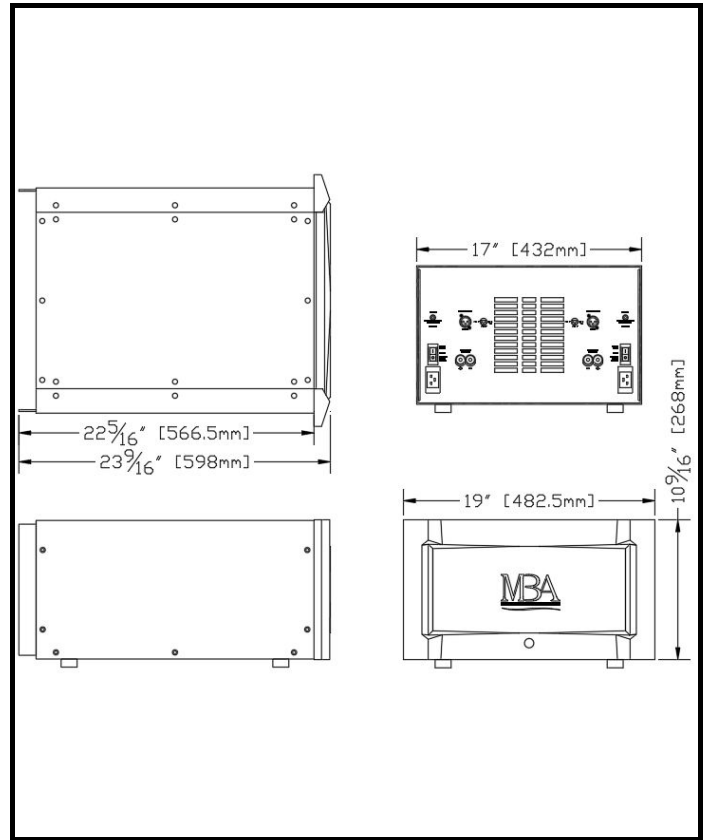
[Return To Product List](#)

## MBX 1250.2 FD XPR Amplifier

# MBA

MICHAEL BARR AUDIO TECHNOLOGY

The MBX 1250.2 FD XPR ultra high performance amplifier incorporates two 1250(+) watt mono-block "FD" fully differential output stage amplifiers in one chassis. This design doubles the slew rate, providing substantially increased speed, accuracy, musical realism, and far less listening fatigue at all volume levels. With 40 audiophile output transistors, over one Farad (1,000,000uF) of filter capacitance, and two proprietary toroidal transformers. Reliability (thanks to state of the art "Lightwave" protection), audiophile performance, "FD" speed and massive power (to drive the relentless demands of proprietary MBX drivers - accuracy, speed, excursion, & extremely low impedance). All showcased in this industrially designed, CNC milled amplifier chassis that evokes the finest exotic automobiles!



### Specifications

<b>Model</b> MBX 1250.2 FD XPR	<b>Signal to Noise Ration "A Weighted"</b> > 120dB Below FTC Full Power
<b>Heat Dissipation</b> 2550 BTU/Hour	<b>Crosstalk</b> > -100dB from 20Hz-20kHz
<b>Amplifier Class</b> Class AB	<b>Slew Rate</b> 40 Volts/μs
<b>Output Power (All Ch. Driven)</b> 1250W @ 4Ω	<b>Mains and Power Supply</b> (2x) C19 (20 Amp)
<b>Power Supply Type</b> Toroidal	<b>Power Outputs</b> 2
<b>Main Rating</b> (2x) 115V 15A / 230V 8A	<b>Inputs (Quantity and Type)</b> 2 - XLR
<b>Frequency Response</b> 5Hz-55kHz +/- 3dB	<b>Weight</b> 65 kg
<b>Distortion THD+N (20Hz-10kHz)</b> < 0.3% @ FTC Full Power	<b>Dimensions (W x H x D)</b> 483mm x 267mm x 597mm

[Previous Page](#)

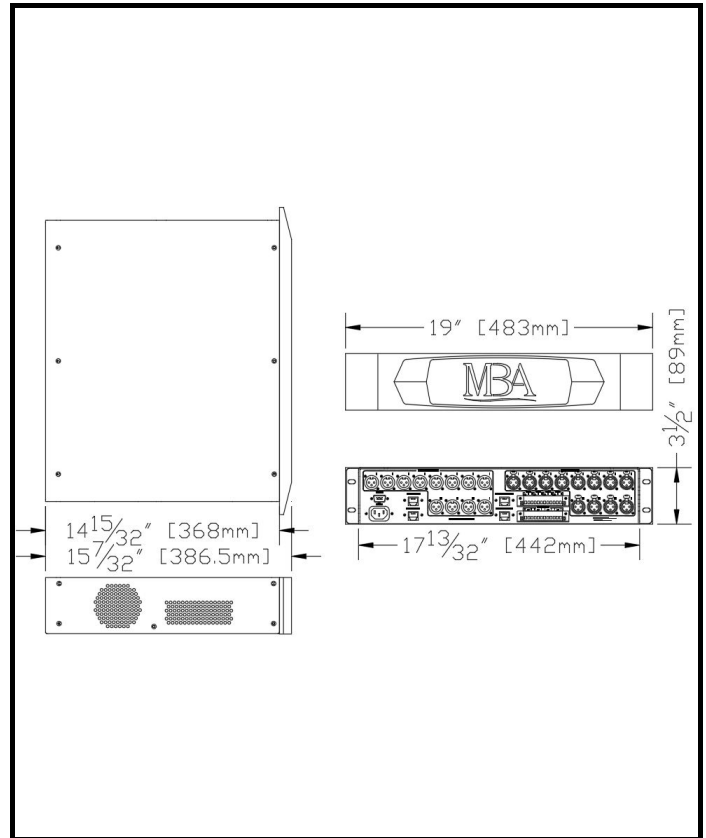
[Return To Product List](#)

## MBX DSP 12x12

# MBA

MICHAEL BARR AUDIO TECHNOLOGY

The MBX DSP 12x12 is a Dante-enabled, 12-XLR-input, 12-XLR-output, high power digital signal processor. With a medical-grade linear power supply, shock-isolating mainboard mounts, and a machined billet aluminum faceplate. Two ethernet ports for control system integration, two Dante I/O ports supporting 128 Dante channels, optional USB audio port, ultra-low-noise high-fidelity ADCs and DACs.



### Specifications

**Model**  
MBX DSP 12x12

**THD + Noise**  
< -95dB; 1kHz @ +15dBu

**Heat Dissipation**  
180 BTU/Hour

**Crosstalk**  
> -100dB from 20Hz-20kHz

**Raw Processing Capacity**  
500 MIPS, 6 GigaFLOPS, 2 GMACS

**Latency**  
1.04 ms

**Dynamic Range (A/D/A)**  
114 dB, A-weighted

**Mains and Power Supply**  
C13 (15 Amp)

**Delay Memory**  
174 Seconds (Sum of all channels)

**Inputs (Quantity and Type)**  
12 - XLR

**Main Rating**  
115V 15A / 230V 8A

**Outputs (Quantity and Type)**  
12 - XLR

**Frequency Response**  
20Hz-20kHz +/- 0.5dB

**Weight**  
6.3 kg

**Dante I/O**  
64 Inputs, 64 Outputs

**Dimensions (W x H x D)**  
483mm x 177mm x 419mm

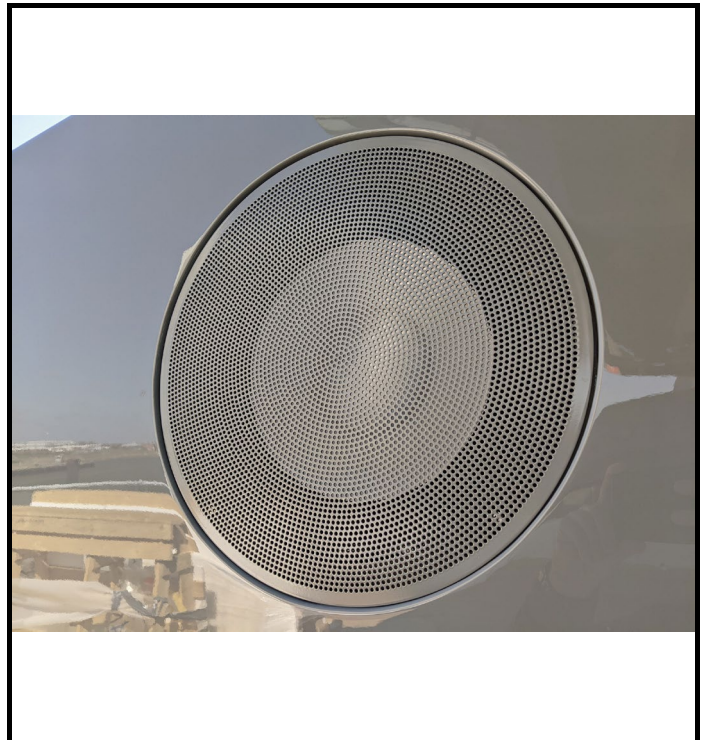
[Previous Page](#)

[Return To Product List](#)

## Grille Options



Custom grilles are limited only by your imagination! MBA can manufacture custom grilles in CNC milled billet aluminum, CNC milled fiberglass epoxy resin, fabric wrapped, stamped steel, or any other material of your choice. Here are just a few examples of potential grille style choices offered.



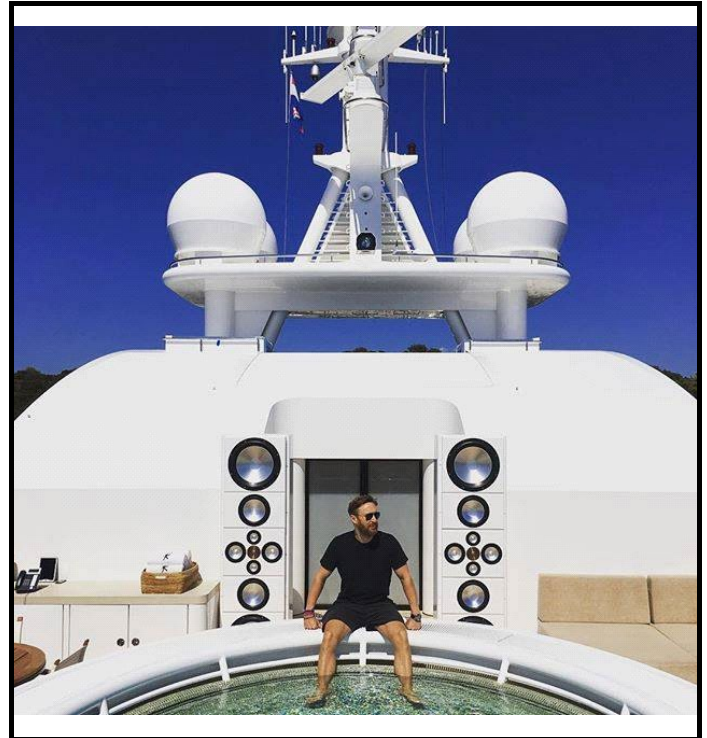
[Previous Page](#)

[Return To Product List](#)

## Custom Loudspeakers



Your imagination is the limit! In addition to the outdoor products listed here, MBA engineers can adapt any of our residential products for outdoor use, and any outdoor product can be customized. Whether it's a simple height/width/length modification or an imaginative fully custom-built loudspeaker of highest grade materials and finishes of your choice, MBA can make any loudspeaker you dream of. Ask your MBA sales team member for an estimate to make your custom loudspeaker project a reality!



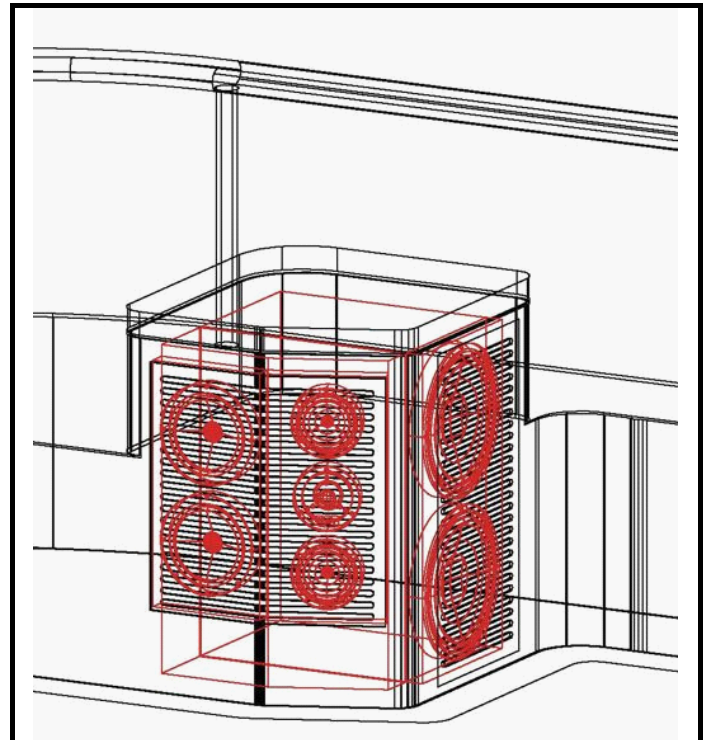
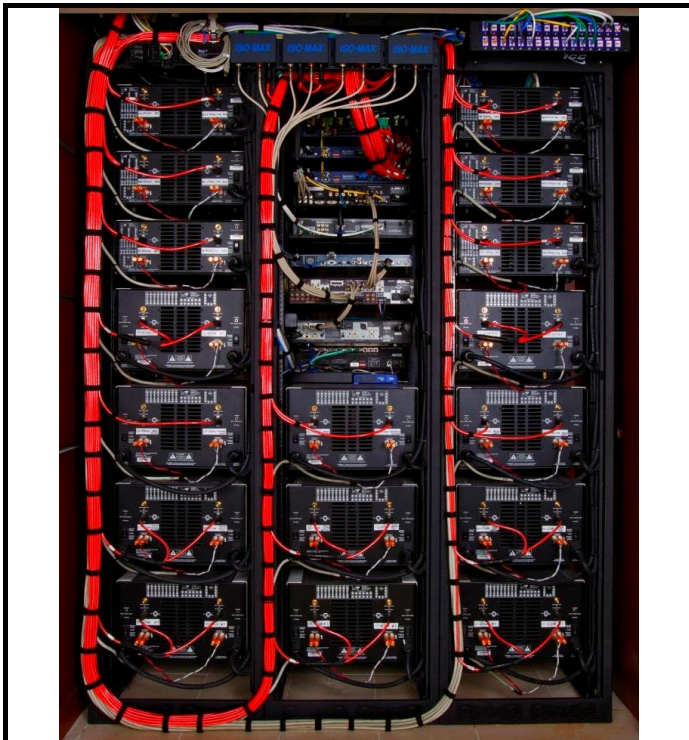
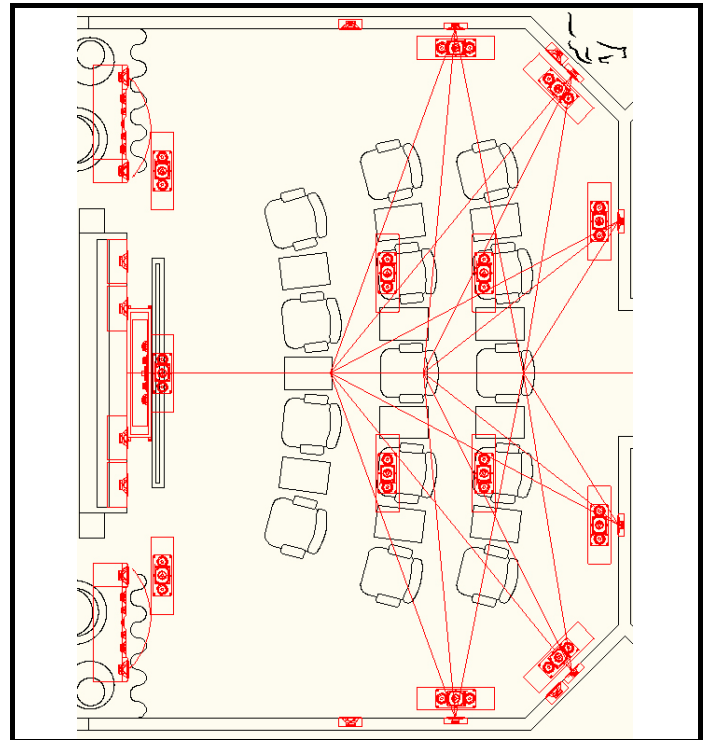
[Previous Page](#)

[Return To Product List](#)

## Off-Site Engineering



MBA offers engineering services including room acoustical treatment plans, loudspeaker placements and customizations, DSP programming, rack layouts and wiring schematics, custom CNC milled parts, and any other engineering work your project may need. MBA engineers can coordinate with your designers, integrators, architects, ship builders, and client teams to fully customize the best audio systems for your project.



[Previous Page](#)

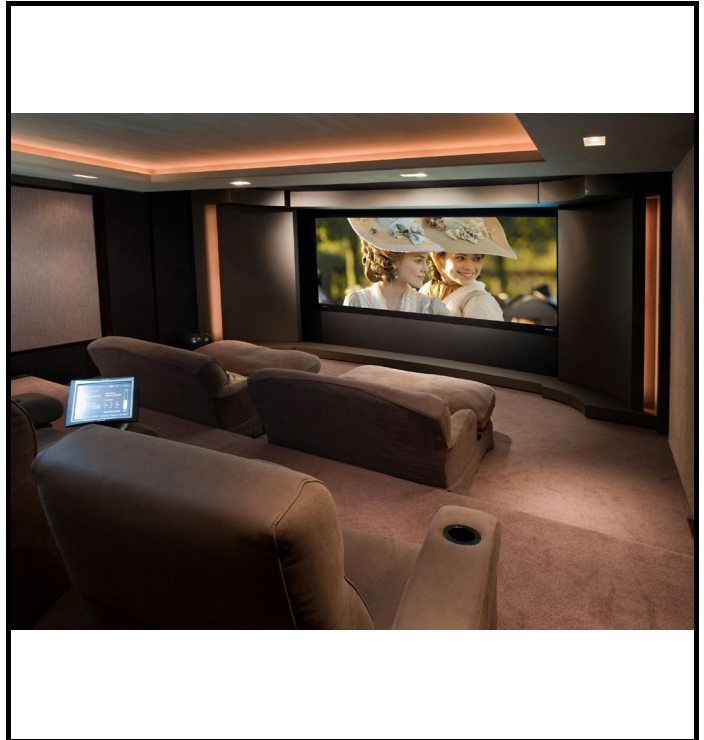
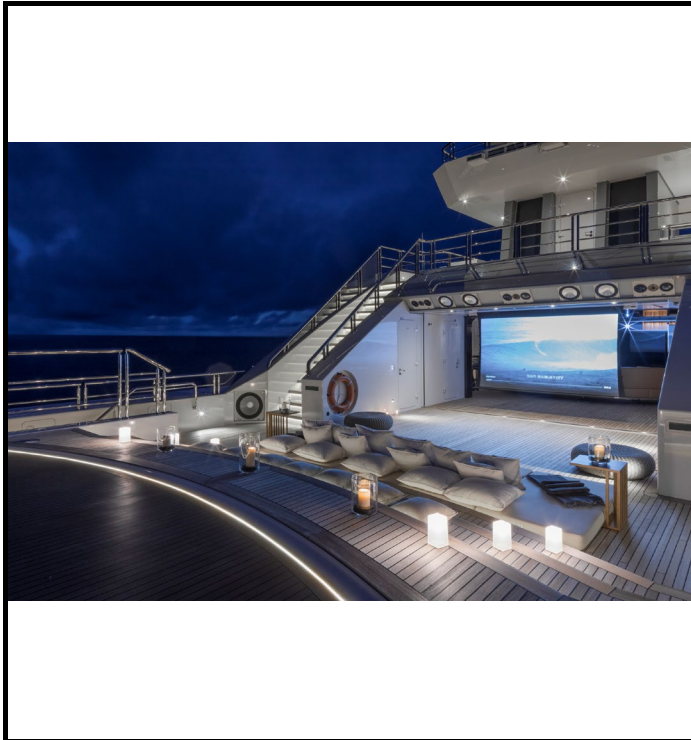
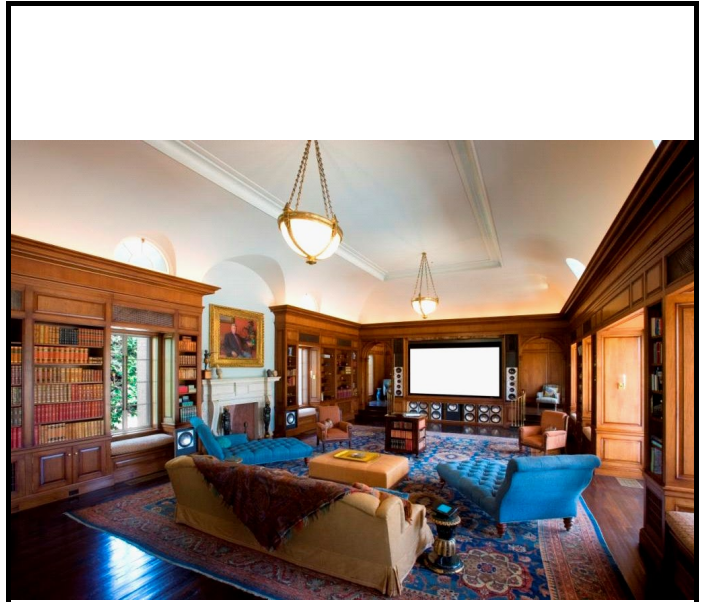
[Return To Product List](#)

## On-Site Engineering

# MBA

MICHAEL BARR AUDIO TECHNOLOGY

After your audio system is installed, MBA engineers will travel to your project anywhere in the world, and using state-of-the-art equipment and fully customized DSP programs, we will calibrate your audio system to perform at the best possible quality and output levels. MBA engineers will work with your integration team and project managers to customize any required presets or controls, such as having different EQ settings for screen masking or window shades open or closed, motorized speaker mount positions, or even different furniture configurations or listening preferences. At the client's request, the calibration will even be custom-tuned to their exact preferences. The number of days required varies by system scope, there is a minimum of two days for any system. Transportation and lodging will be billed separately.



[Previous Page](#)

[Return To Product List](#)

## Outdoor Systems



These outdoor systems include the loudspeakers, subwoofers, amplifier, and DSP with On-Site Engineering (if applicable) for a complete outdoor audio system. Any of these systems can be customized to meet any budget or desire, just ask the MBA sales team for details of all your various options and pricing. Pricing shown here excludes audio source equipment, preamplifier, and cables/wires, taxes/duties, and travel.

### Small

- 4 MBA Elite Bullet 8"
- 2 MBES5 Planter Sub 12"
- 1 MBA 300.8 Amplifier

*DSP not included, requires a preamp capable of frequency-dividing*

### Medium

- 12 MBA Elite Bullet 8"
- 6 MBES5 Planter Sub 12"
- 3 MBA 300.8 Amplifier
- 2 MBX DSP 12x12
- 2 Days of On-Site Engineering

### Large

- 60 MBA Elite Bullet 8"
- 20 MBES5 Planter Sub 12"
- 10 MBS4 Planter Sub 18"
- 15 MBA 300.8 Amplifier
- 8 MBX DSP 12x12
- 3 Days of On-Site Engineering

[Previous Page](#)

[Return To Product List](#)