

MBA

MICHAEL BARR AUDIO TECHNOLOGY



Marine 2026 US Catalog

Best viewed in Adobe Acrobat



Marine Products

Loudspeakers

MBA Elite Sausalito 6.5"	Spec Sheet
MBA Elite Belvedere 8"	Spec Sheet
MBA Elite Bullet 8"	Spec Sheet

Subwoofers

MBES5 Outdoor Sub 12"	Spec Sheet
Montecito ENCL 12"	Spec Sheet
MBS4 Outdoor Sub 18"	Spec Sheet

Custom

[Information](#)

Electronics

200.6 Amplifier	Spec Sheet
300.8 Amplifier	Spec Sheet
1250.2 Amplifier	Spec Sheet
12x12 DSP	Spec Sheet

Services

Off-Site Engineering	Information
On-Site Engineering	Information

MBA Elite Sausalito ENCL

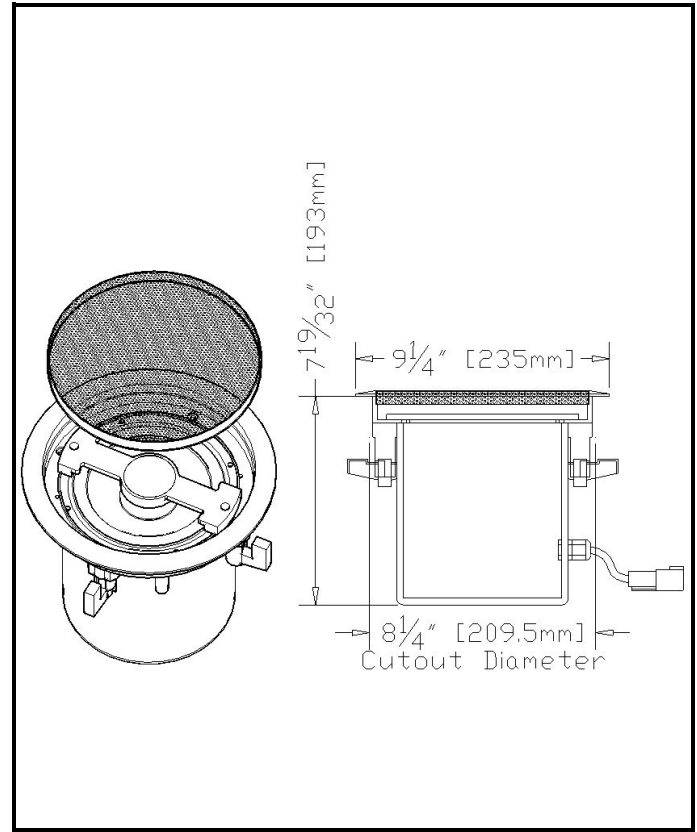


The MBA Elite Sausalito loudspeaker system integrates a MBA Elite Marine 6.5" curvilinear aluminum cone woofer driver with the MBA Elite 30mm Aluminum-dome marine tweeter, providing the MBA Elite Sausalito with extended SPL and the most critical performance benefits of the renowned MBA Elite tweeter. Constructed with an integrated gelcoated resin enclosure and an aluminum driver baffle with Awlgrip finish.

Grilles

This loudspeaker comes standard with a stainless steel grill finished with Awlgrip. However, many other custom grille options exist.

[Click here to see a few grille examples](#)



Specifications

Model MBA Elite Sausalito ENCL	Channels 1
Maximum SPL @ 1m 125dB	Frequency Response 34Hz-24kHz
Minimum Amplifier Power 300W @ 4Ω	Maximum Amplifier Power 650W @ 4Ω
Nominal Impedance 4Ω	Sensitivity 89dB

Recommended Amplification

MBA 300.8 Amplifier

[Previous Page](#)

[Return To Product List](#)

MBA Elite Belvedere ENCL

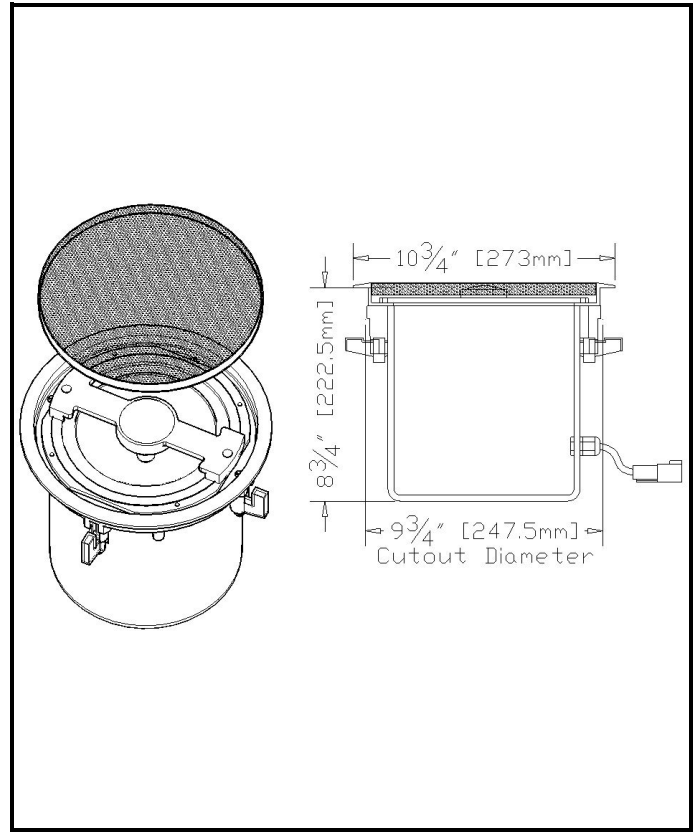


The MBA Elite Belvedere loudspeaker system integrates a MBA Elite Marine 8" curvilinear aluminum cone woofer driver with the MBA Elite 30mm Aluminum-dome marine tweeter, providing the MBA Elite Sausalito with extended SPL and the most critical performance benefits of the renowned MBA Elite tweeter. Constructed with an integrated gelcoated resin enclosure and an aluminum driver baffle with Awlgrip finish.

Grilles

This loudspeaker comes standard with a stainless steel grill finished with Awlgrip. However, many other custom grille options exist.

[Click here to see a few grille examples](#)



Specifications

Model MBA Elite Belvedere ENCL	Channels 1
Maximum SPL @ 1m 125dB	Frequency Response 30Hz-24kHz
Minimum Amplifier Power 300W @ 4Ω	Maximum Amplifier Power 650W @ 4Ω
Nominal Impedance 4Ω	Sensitivity 89dB

Recommended Amplification

MBA 300.8 Amplifier

[Previous Page](#)

[Return To Product List](#)

MBA Elite Bullet

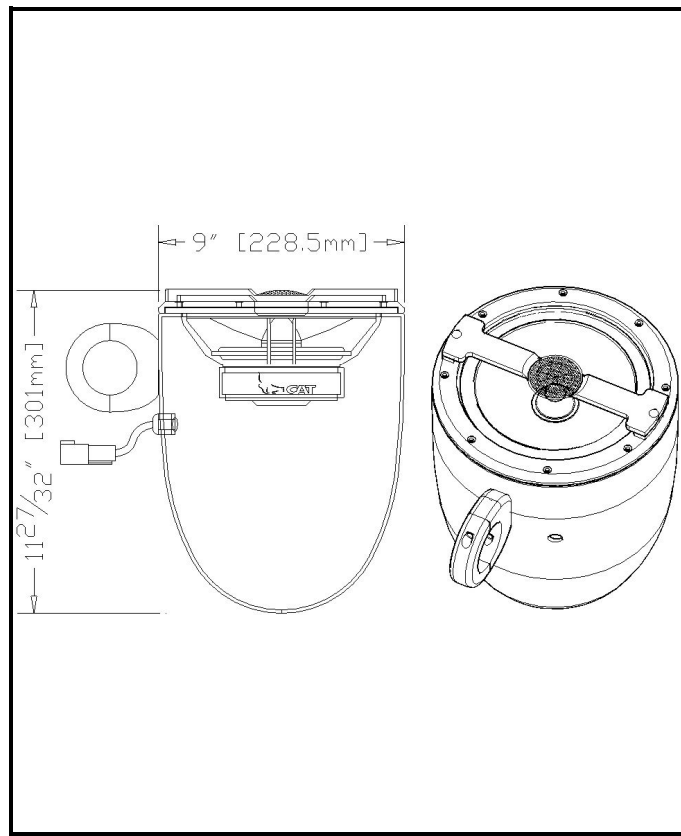


The MBA Elite Bullet loudspeaker system integrates a MBA Elite Marine 8" curvilinear aluminum cone woofer driver with the MBA Elite 30mm Aluminum-dome marine tweeter, providing the MBA Elite Bullet with extended SPL and the most critical performance benefits of the renowned MBA Elite tweeter. Constructed of all aluminum with Awlgrip finish. Available mounting options include side pole-mount, top pole-mount, railing, ceiling or wall brackets, or any custom mounting style you desire (custom charges may apply).

Grilles

This loudspeaker comes standard with a stainless steel grill finished with Awlgrip. However, many other custom grille options exist.

[Click here to see a few grille examples](#)



Specifications

Model MBA Elite Bullet	Channels 1
Maximum SPL @ 1m 125dB	Frequency Response 30Hz-24kHz
Minimum Amplifier Power 300W @ 4Ω	Maximum Amplifier Power 650W @ 4Ω
Nominal Impedance 4Ω	Sensitivity 89dB

Recommended Amplification

MBA 300.8 Amplifier

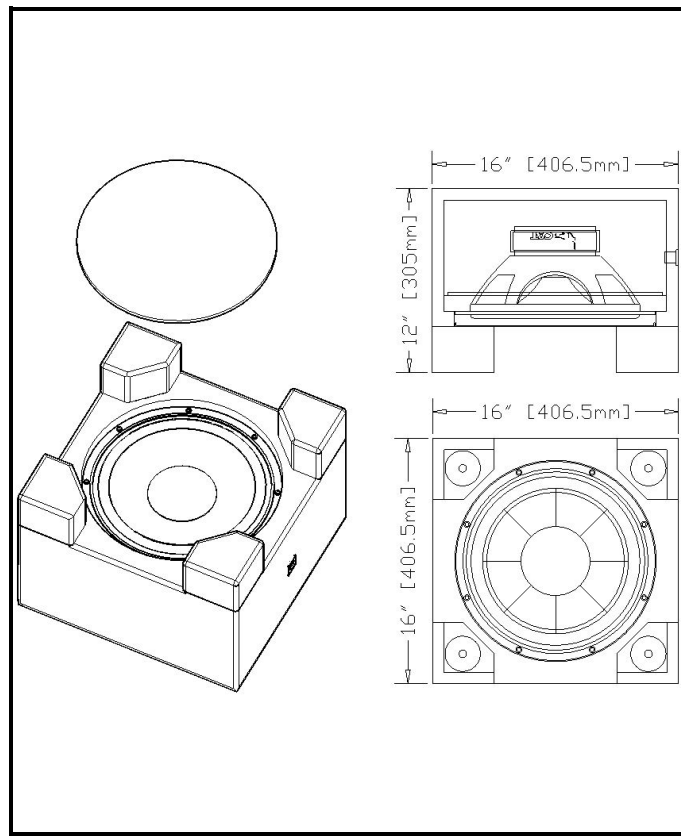
[Previous Page](#)

[Return To Product List](#)

MBA Elite S5 Outdoor Subwoofer



This 12" curvilinear aluminum cone subwoofer will accurately reproduce low frequencies down below 20Hz. Constructed with a marine-grade ply enclosure and a 1.5" MBX105 ultra high-density driver baffle (MBA proprietary fiber-reinforced composite). This downward-firing subwoofer has adjustable leveling feet, an FR4 fiberglass resin grill, and an extremely durable heavy duty paint to withstand the harshest environments, integrated with your landscaping in planters, near your pool, hidden in foliage, or anywhere else.



Specifications

Model MBA Elite S5 Outdoor Subwoofer	Channels 1
Maximum SPL @ 1m 129dB	Frequency Response 20Hz-1kHz
Minimum Amplifier Power 300W @ 4Ω	Maximum Amplifier Power Unlimited* @ 4Ω
Nominal Impedance 4Ω	Sensitivity 90dB

**Unlimited max. clean power, when calibrated by Michael Barr Audio Technology w/ MBX DSP*

Recommended Amplification

MBX 1250.2 Amplifier

MBA 300.8 Amplifier

[Previous Page](#)

[Return To Product List](#)

MBA Elite Montecito

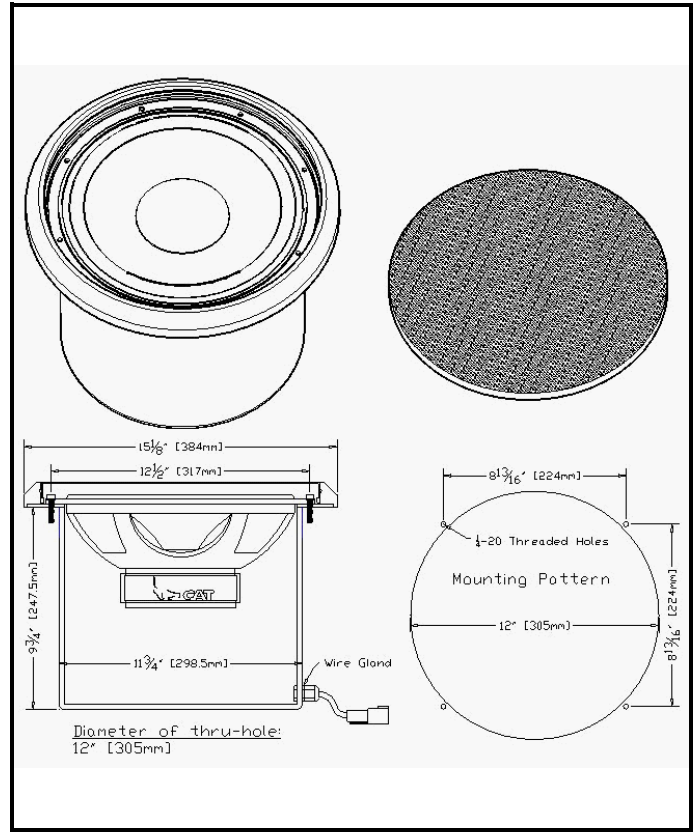


This 12" curvilinear aluminum cone subwoofer will accurately reproduce low frequencies down below 20Hz. Constructed of all aluminum, with an Awlgrip finished frame and gelcoat-finished integrated enclosure.

Grilles

This loudspeaker comes standard with a stainless steel grill finished with Awlgrip. However, many other custom grille options exist.

[Click here to see a few grille examples](#)



Specifications

Model	MBA Elite Montecito	Channels	1
Maximum SPL @ 1m	129dB	Frequency Response	20Hz-1kHz
Minimum Amplifier Power	300W @ 4Ω	Maximum Amplifier Power	Unlimited* @ 4Ω
Nominal Impedance	4Ω	Sensitivity	90dB

**Unlimited max. clean power, when calibrated by Michael Barr Audio Technology w/ MBX DSP*

Recommended Amplification

MBX 1250.2 Amplifier

MBA 300.8 Amplifier

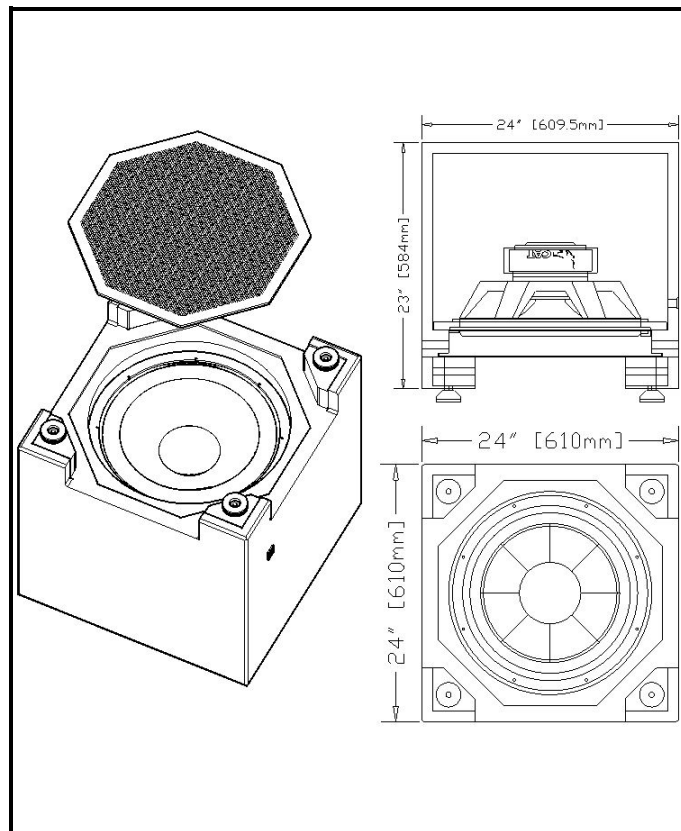
[Previous Page](#)

[Return To Product List](#)

MBA S4 Outdoor Subwoofer



This 18" curvilinear aluminum cone subwoofer will accurately reproduce low frequencies down below 15Hz. Constructed with a marine-grade ply enclosure and a 1.5" MBX105 ultra high-density driver baffle (MBA proprietary fiber-reinforced composite). This downward-firing subwoofer has adjustable leveling feet, an FR4 fiberglass resin grill, and an extremely durable heavy duty paint to withstand the harshest environments, integrated with your landscaping in planters, near your pool, hidden in foliage, or anywhere else.



Specifications

Model MBA S4 Outdoor Subwoofer	Channels 1
Maximum SPL @ 1m 128dB	Frequency Response 10Hz-1000kHz
Minimum Amplifier Power 300W @ 4Ω	Maximum Amplifier Power 650W @ 4Ω
Nominal Impedence 4Ω	Sensitivity 90dB

Recommended Amplification

MBA 300.8 Amplifier

[Previous Page](#)

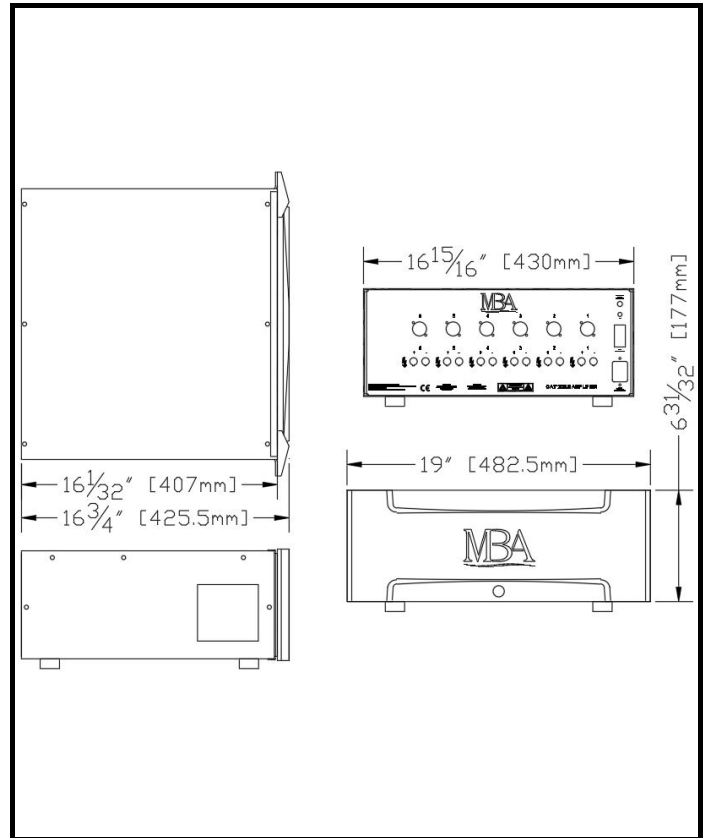
[Return To Product List](#)

MBA 200.6 Amplifier

MBA

MICHAEL BARR AUDIO TECHNOLOGY

The MBA 200.6 High Definition Power Amplifier delivers fast, accurate & clean power. Utilizing large, custom, audiophile quality, high-current toroidal transformers, filter capacitors and output transistors. This amp delivers over 200 pure watts x 6 channels into 4 ohm loads and can properly power demanding loudspeaker loads down to 2 ohms! Gold flashed circuit boards, and XLR isolation transformer protected inputs are some key performance features!



Specifications

Model MBA 200.6	Signal to Noise Ration "A Weighted" > 120dB Below FTC Full Power
Heat Dissipation 2350 BTU/Hour	Crosstalk > -100dB from 20Hz-20kHz
Amplifier Class Class AB	Slew Rate 40 Volts/μs
Output Power (All Ch. Driven) 200W @ 4Ω	Mains and Power Supply C19 (20 Amp)
Power Supply Type Toroidal	Power Outputs 6
Main Rating 115V 15A / 230V 8A	Inputs (Quantity and Type) 6 - XLR
Frequency Response 5Hz-55kHz +/- 3dB	Weight 43 kg
Distortion THD+N (20Hz-10kHz) < 0.3% @ FTC Full Power	Dimensions (W x H x D) 483mm x 177mm x 419mm

[Previous Page](#)

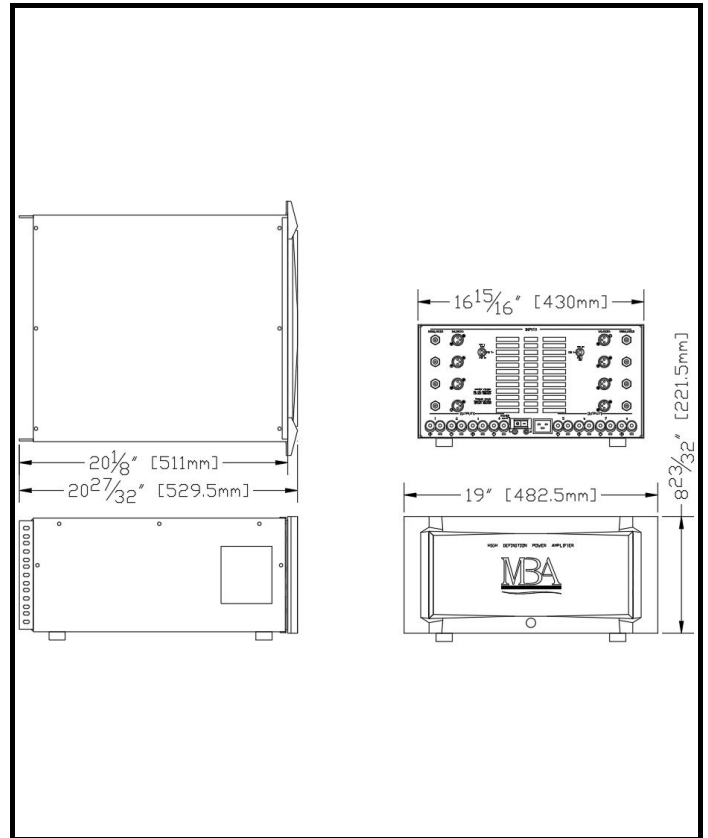
[Return To Product List](#)

MBA 300.8 SE Amplifier

MBA

MICHAEL BARR AUDIO TECHNOLOGY

The MBA 300.8 SE High Definition Power Amplifier delivers fast, accurate & clean power. Utilizing extremely large, custom, audiophile quality, high-current toroidal transformers, filter capacitors and output transistors. This amp delivers over 300 pure watts x 8 channels into 4 ohm loads and can properly power demanding loudspeaker loads down to 2 ohms! Tunnel ram quiet-fan cooled, gold flashed circuit boards, XLR isolation transformer protected inputs & "Lightwave" optical comparator protection are some key performance features!



Specifications

Model MBA 300.8 SE	Signal to Noise Ration "A Weighted" > 120dB Below FTC Full Power
Heat Dissipation 2350 BTU/Hour	Crosstalk > -100dB from 20Hz-20kHz
Amplifier Class Class AB	Slew Rate 40 Volts/μs
Output Power (All Ch. Driven) 300W @ 4Ω	Mains and Power Supply C19 (20 Amp)
Power Supply Type Toroidal	Power Outputs 8
Main Rating 115V 15A / 230V 8A	Inputs (Quantity and Type) 8 - XLR
Frequency Response 5Hz-55kHz +/- 3dB	Weight 61 kg
Distortion THD+N (20Hz-10kHz) < 0.3% @ FTC Full Power	Dimensions (W x H x D) 483mm x 222mm x 530mm

[Previous Page](#)

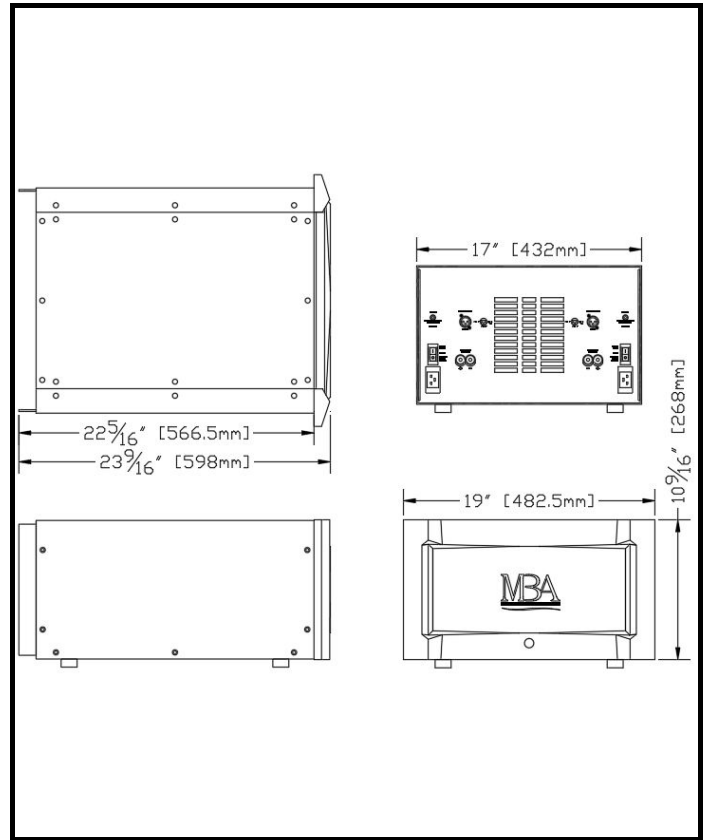
[Return To Product List](#)

MBX 1250.2 FD XPR Amplifier

MBA

MICHAEL BARR AUDIO TECHNOLOGY

The MBX 1250.2 FD XPR ultra high performance amplifier incorporates two 1250(+) watt mono-block "FD" fully differential output stage amplifiers in one chassis. This design doubles the slew rate, providing substantially increased speed, accuracy, musical realism, and far less listening fatigue at all volume levels. With 40 audiophile output transistors, over one Farad (1,000,000uF) of filter capacitance, and two proprietary toroidal transformers. Reliability (thanks to state of the art "Lightwave" protection), audiophile performance, "FD" speed and massive power (to drive the relentless demands of proprietary MBX drivers - accuracy, speed, excursion, & extremely low impedance). All showcased in this industrially designed, CNC milled amplifier chassis that evokes the finest exotic automobiles!



Specifications

Model MBX 1250.2 FD XPR	Signal to Noise Ratio "A Weighted" > 120dB Below FTC Full Power
Heat Dissipation 2550 BTU/Hour	Crosstalk > -100dB from 20Hz-20kHz
Amplifier Class Class AB	Slew Rate 40 Volts/μs
Output Power (All Ch. Driven) 1250W @ 4Ω	Mains and Power Supply (2x) C19 (20 Amp)
Power Supply Type Toroidal	Power Outputs 2
Main Rating (2x) 115V 15A / 230V 8A	Inputs (Quantity and Type) 2 - XLR
Frequency Response 5Hz-55kHz +/- 3dB	Weight 65 kg
Distortion THD+N (20Hz-10kHz) < 0.3% @ FTC Full Power	Dimensions (W x H x D) 483mm x 267mm x 597mm

[Previous Page](#)

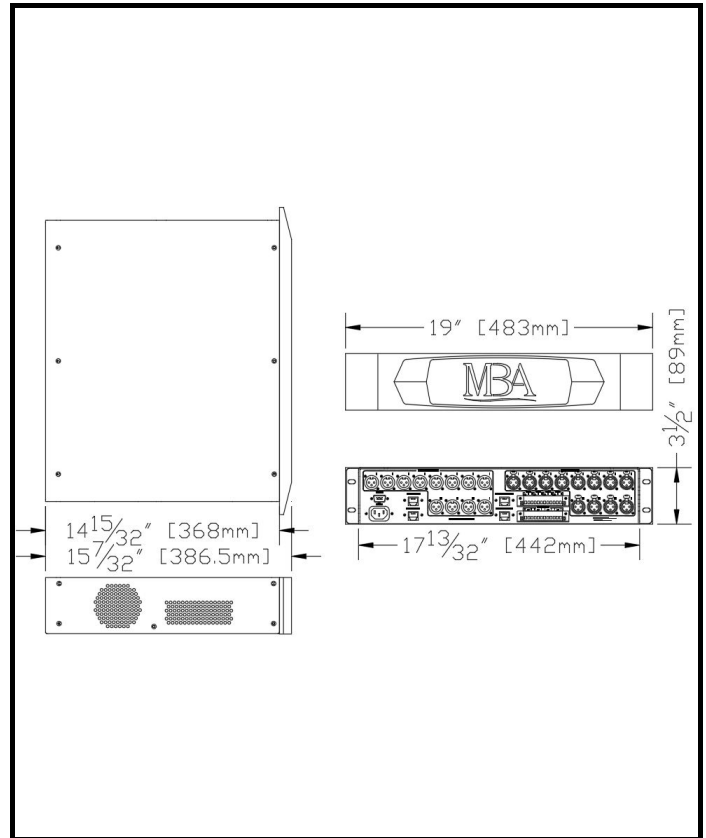
[Return To Product List](#)

MBX DSP 12x12

MBA

MICHAEL BARR AUDIO TECHNOLOGY

The MBX DSP 12x12 is a Dante-enabled, 12-XLR-input, 12-XLR-output, high power digital signal processor. With a medical-grade linear power supply, shock-isolating mainboard mounts, and a machined billet aluminum faceplate. Two ethernet ports for control system integration, two Dante I/O ports supporting 128 Dante channels, optional USB audio port, ultra-low-noise high-fidelity ADCs and DACs.



Specifications

Model
MBX DSP 12x12

THD + Noise
< -95dB; 1kHz @ +15dBu

Heat Dissipation
180 BTU/Hour

Crosstalk
> -100dB from 20Hz-20kHz

Raw Processing Capacity
500 MIPS, 6 GigaFLOPS, 2 GMACS

Latency
1.04 ms

Dynamic Range (A/D/A)
114 dB, A-weighted

Mains and Power Supply
C13 (15 Amp)

Delay Memory
174 Seconds (Sum of all channels)

Inputs (Quantity and Type)
12 - XLR

Main Rating
115V 15A / 230V 8A

Outputs (Quantity and Type)
12 - XLR

Frequency Response
20Hz-20kHz +/- 0.5dB

Weight
6.3 kg

Dante I/O
64 Inputs, 64 Outputs

Dimensions (W x H x D)
483mm x 177mm x 419mm

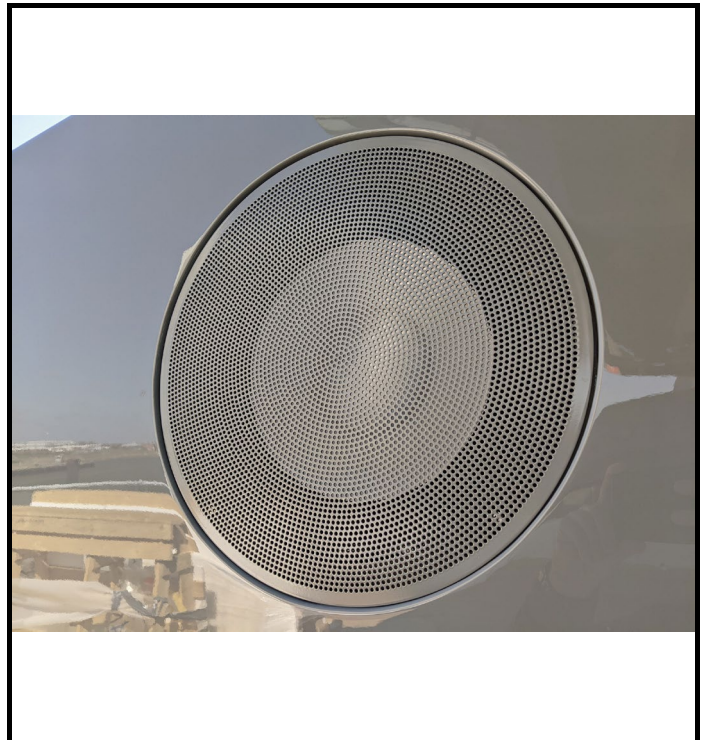
[Previous Page](#)

[Return To Product List](#)

Grille Options



Custom grilles are limited only by your imagination! MBA can manufacture custom grilles in CNC milled billet aluminum, CNC milled fiberglass epoxy resin, fabric wrapped, stamped steel, or any other material of your choice. Here are just a few examples of potential grille style choices offered.



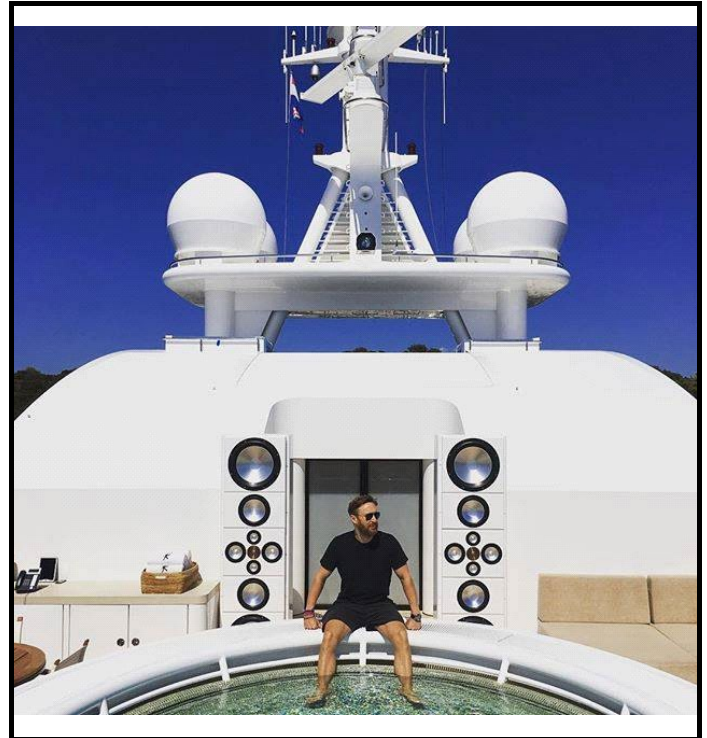
[Previous Page](#)

[Return To Product List](#)

Custom Loudspeakers



Your imagination is the limit! In addition to the outdoor products listed here, MBA engineers can adapt any of our residential products for outdoor use, and any outdoor product can be customized. Whether it's a simple height/width/length modification or an imaginative fully custom-built loudspeaker of highest grade materials and finishes of your choice, MBA can make any loudspeaker you dream of. Ask your MBA sales team member for an estimate to make your custom loudspeaker project a reality!



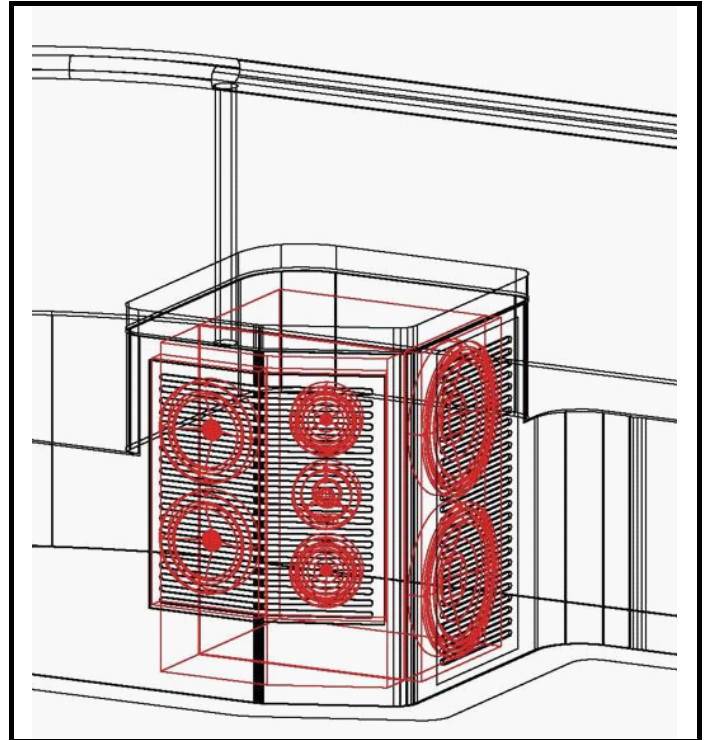
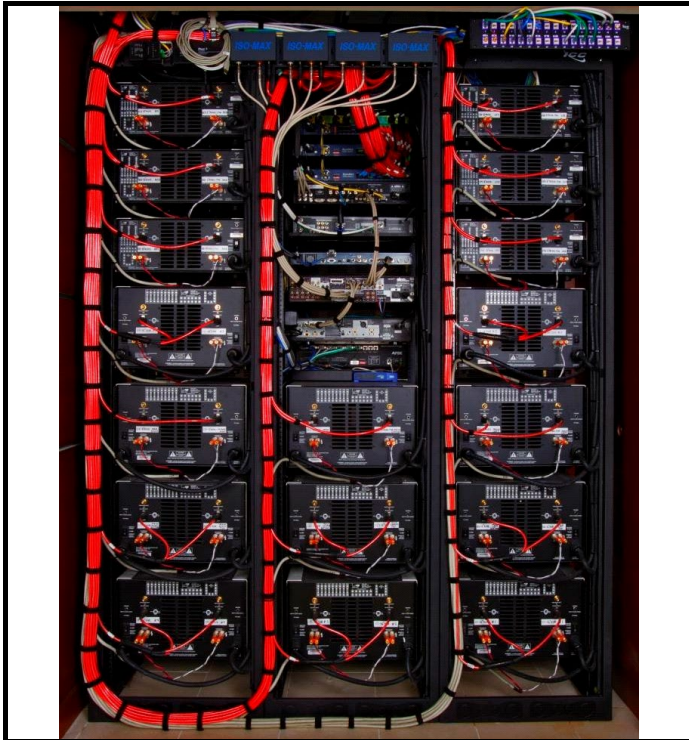
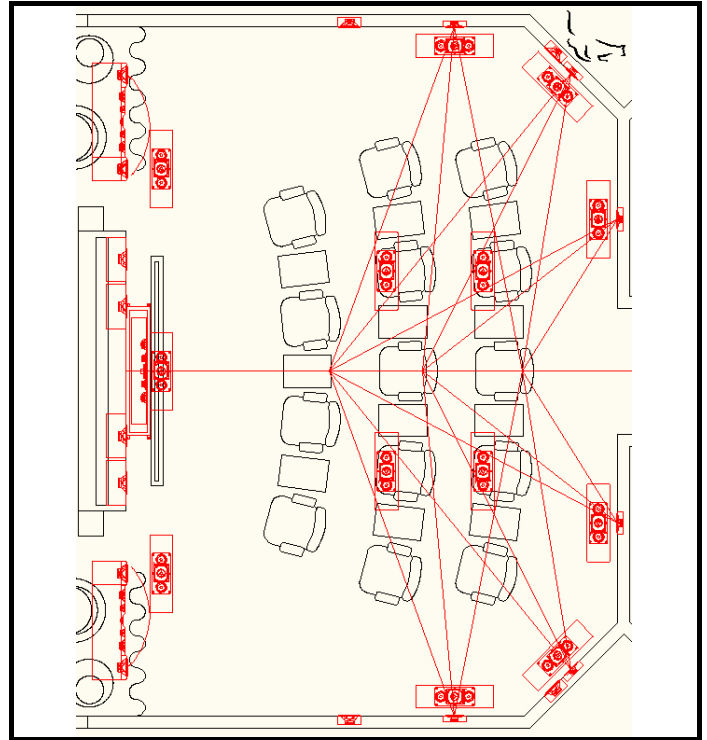
[Previous Page](#)

[Return To Product List](#)

Off-Site Engineering



MBA offers engineering services including room acoustical treatment plans, loudspeaker placements and customizations, DSP programming, rack layouts and wiring schematics, custom CNC milled parts, and any other engineering work your project may need. MBA engineers can coordinate with your designers, integrators, architects, ship builders, and client teams to fully customize the best audio systems for your project.



[Previous Page](#)

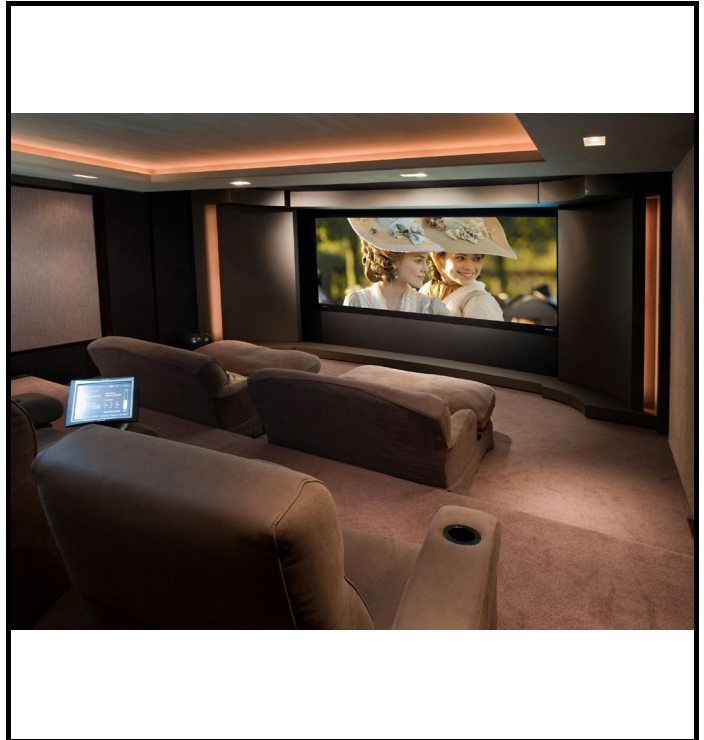
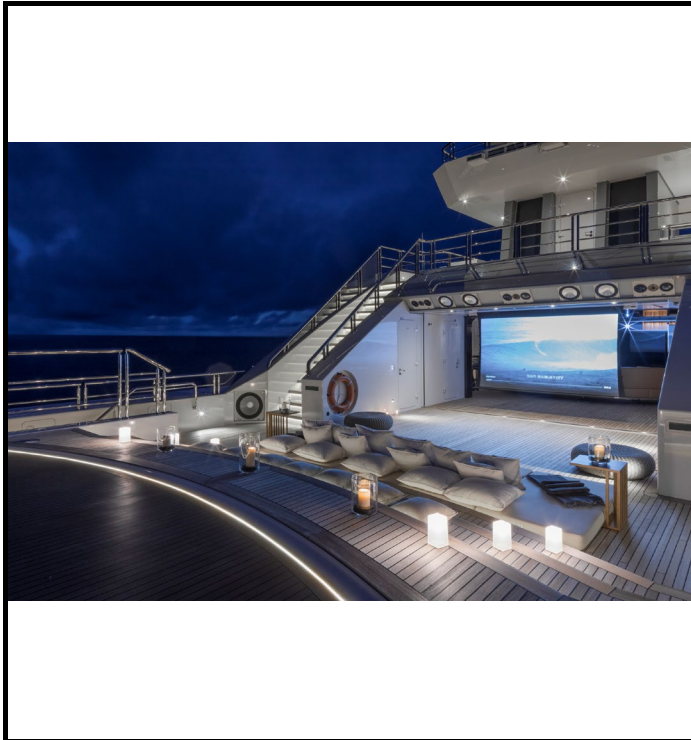
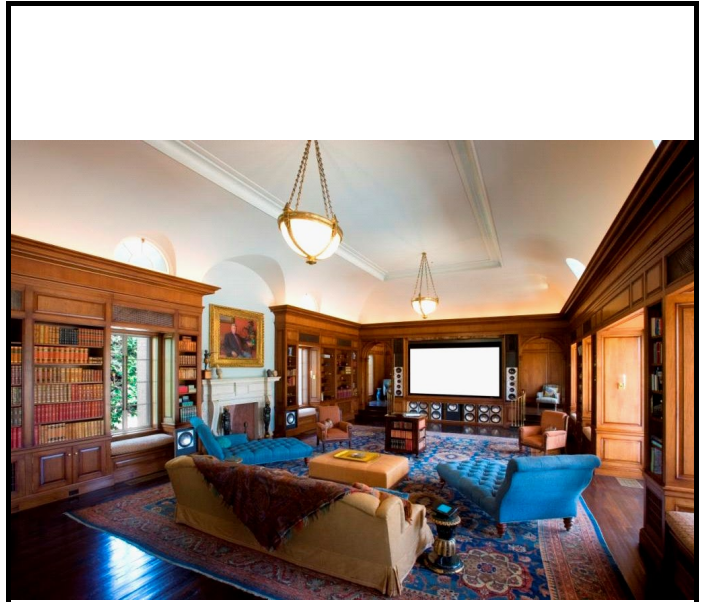
[Return To Product List](#)

On-Site Engineering

MBA

MICHAEL BARR AUDIO TECHNOLOGY

After your audio system is installed, MBA engineers will travel to your project anywhere in the world, and using state-of-the-art equipment and fully customized DSP programs, we will calibrate your audio system to perform at the best possible quality and output levels. MBA engineers will work with your integration team and project managers to customize any required presets or controls, such as having different EQ settings for screen masking or window shades open or closed, motorized speaker mount positions, or even different furniture configurations or listening preferences. At the client's request, the calibration will even be custom-tuned to their exact preferences. The number of days required varies by system scope, there is a minimum of two days for any system. Transportation and lodging will be billed separately.



[Previous Page](#)

[Return To Product List](#)