

MBA

MICHAEL BARR AUDIO TECHNOLOGY



2026 US Catalog

Best viewed in Adobe Acrobat



Consumer Products

Architectural

MBA

100	Spec Sheet
200	Spec Sheet
300	Spec Sheet
400	Spec Sheet
600	Spec Sheet
S2	Spec Sheet
S3	Spec Sheet
S4	Spec Sheet

MBA Elite

200EX	Spec Sheet
400EX	Spec Sheet
700	Spec Sheet
800	Spec Sheet
S5	Spec Sheet

MBX

900	Spec Sheet
1000	Spec Sheet
S7	Spec Sheet
S8	Spec Sheet
S10	Spec Sheet
S11	Spec Sheet

Soundbars

[Information](#)

Freestanding

Trinity	Spec Sheet
Yosemite	Spec Sheet
Sequoia	Spec Sheet
FX	Spec Sheet
FXX	Spec Sheet
Miramar	Spec Sheet
Diablo	Spec Sheet

Custom

[Information](#)

Electronics

200.6 Amplifier	Spec Sheet
300.8 Amplifier	Spec Sheet
1250.2 Amplifier	Spec Sheet
12x12 DSP	Spec Sheet

Services

Off-Site Engineering	Information
On-Site Engineering	Information

Sample Systems

Two Channel	Information
Cinema	Information

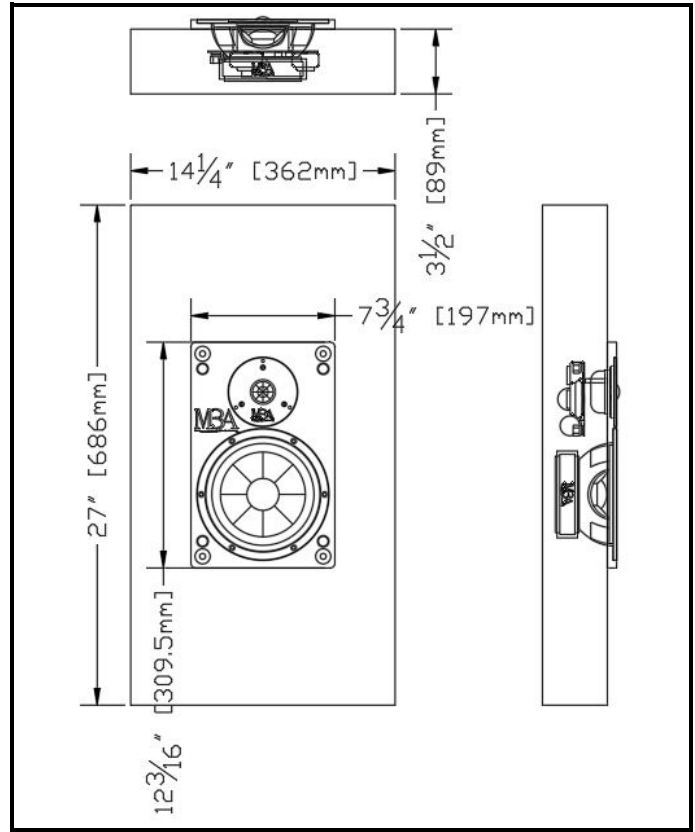
MBA 100 IW



The MBA 100 loudspeaker system integrates a MBA 6.5" curvilinear Poly-Mica cone woofer driver with the MBA 30mm silk-dome tweeter. Constructed with an HDF enclosure and a 1/2" thick MBX105 ultra high-density driver baffle (MBA proprietary fiber-reinforced composite).

Grilles

Most commonly, these loudspeakers are installed behind acoustic fabric and do not require grilles. However, many grille options exist.



[Click here to see a few grille examples](#)

[Alternate Configurations / Dimensions](#)

Specifications

Model MBA 100 IW	Channels 1
Maximum SPL @ 1m 119dB	Frequency Response 32Hz-22kHz
Minimum Amplifier Power 250W @ 4Ω	Maximum Amplifier Power 650W @ 4Ω
Nominal Impedance 4Ω	Sensitivity 89dB

Recommended Amplification

[MBA 200.6 Amplifier](#)

[MBA 300.8 Amplifier](#)

[Previous Page](#)

[Return To Product List](#)

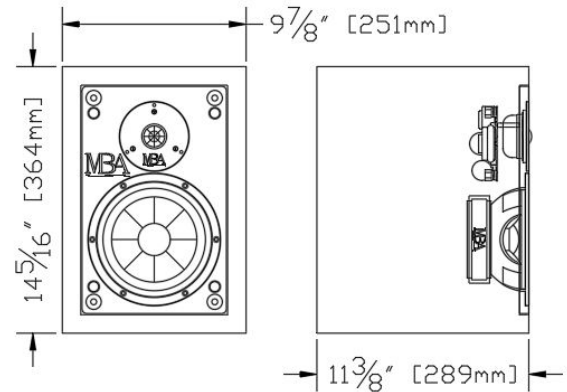
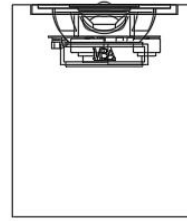
MBA 100 - Other Configurations

MBA

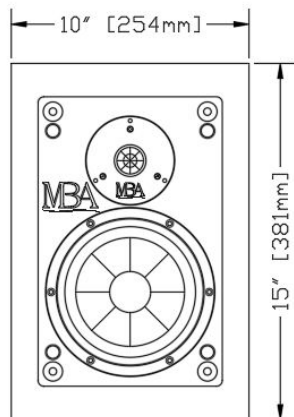
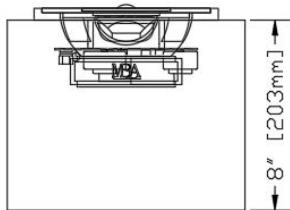
MICHAEL BARR AUDIO TECHNOLOGY

Apart from the standard In-Wall configuration, this loudspeaker enclosure is also available in these other configurations; pricing may vary from standard In-Wall configuration. In addition to the options shown here, MBA can customize this loudspeaker to fit within virtually any other constraints your project may have, including custom L/W/H, C-shaped, L-shaped, notched, angled, soundbars, or combo boxes (combined with subwoofers). Just ask the MBA sales team for details of all your various options and pricing.

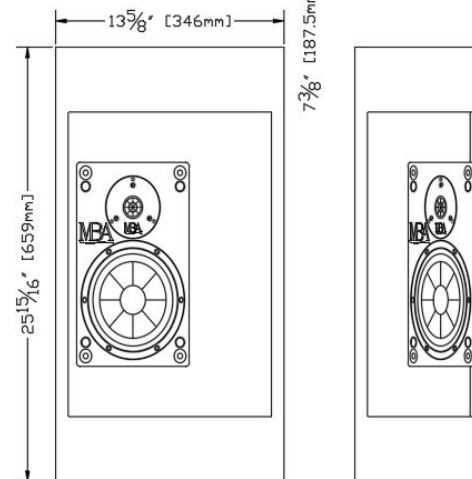
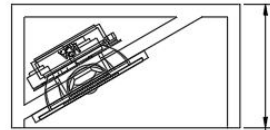
In-Cabinet / Bookshelf



In-Ceiling



Angled (30° Example)



*Custom charge applies

[Previous Page](#)

[Return To Product List](#)

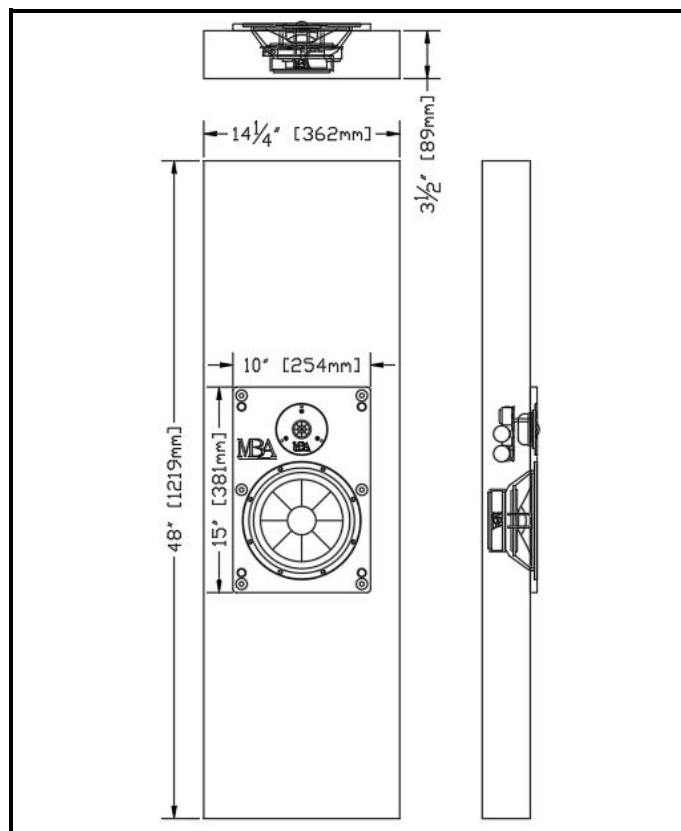
MBA 200 IW



The MBA 200 loudspeaker system integrates a MBA 8.5" curvilinear aluminum cone woofer driver with the MBA 30mm silk-dome tweeter. Constructed with an HDF enclosure and a 1/2" thick MBX105 ultra high-density driver baffle (MBA proprietary fiber-reinforced composite).

Grilles

Most commonly, these loudspeakers are installed behind acoustic fabric and do not require grilles. However, many grille options exist.



[Click here to see a few grille examples](#)

[Alternate Configurations / Dimensions](#)

Specifications

Model MBA 200 IW	Channels 1
Maximum SPL @ 1m 119dB	Frequency Response 29Hz-22kHz
Minimum Amplifier Power 250W @ 4Ω	Maximum Amplifier Power 650W @ 4Ω
Nominal Impedance 4Ω	Sensitivity 89dB

Recommended Amplification

[MBA 200.6 Amplifier](#)

[MBA 300.8 Amplifier](#)

[Previous Page](#)

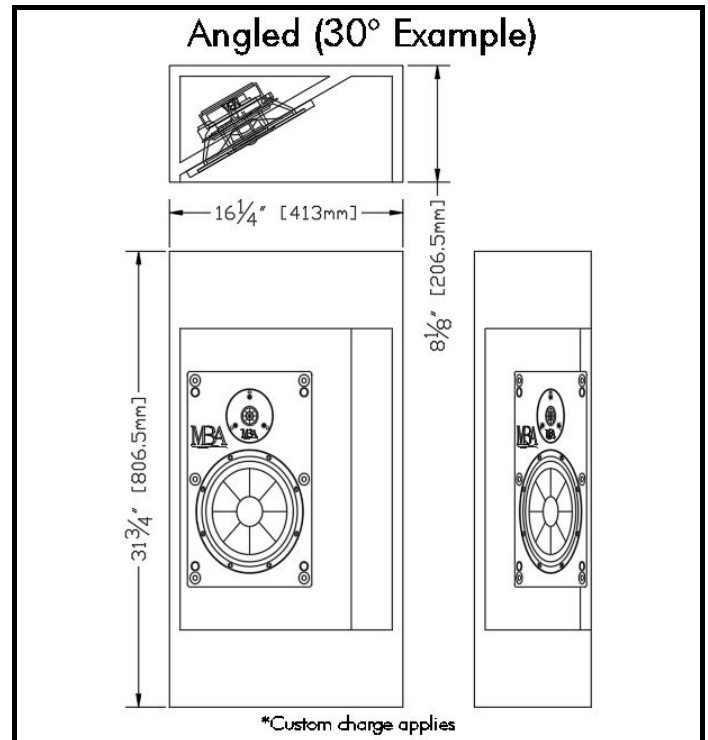
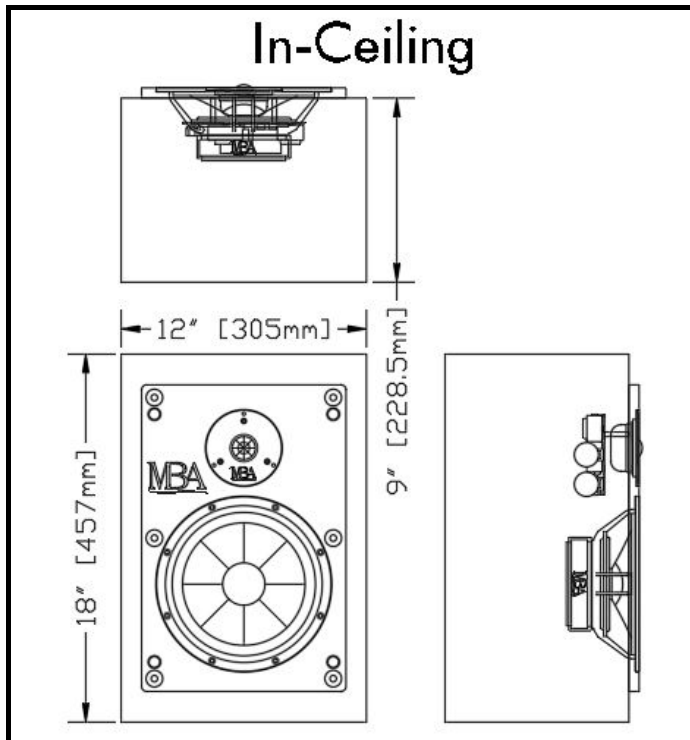
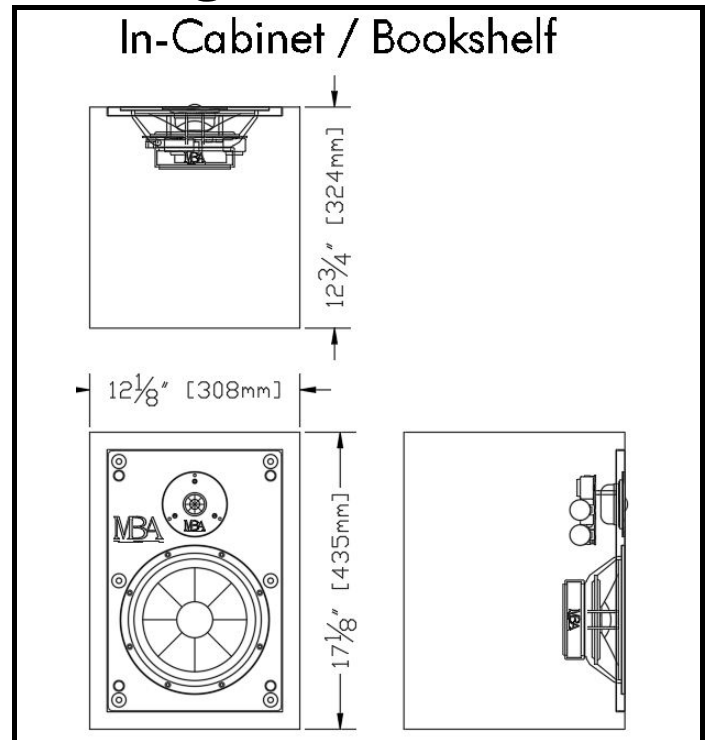
[Return To Product List](#)

MBA 200 - Other Configurations

MBA

MICHAEL BARR AUDIO TECHNOLOGY

Apart from the standard In-Wall configuration, this loudspeaker enclosure is also available in these other configurations; pricing may vary from standard In-Wall configuration. In addition to the options shown here, MBA can customize this loudspeaker to fit within virtually any other constraints your project may have, including custom L/W/H, C-shaped, L-shaped, notched, angled, soundbars, or combo boxes (combined with subwoofers). Just ask the MBA sales team for details of all your various options and pricing.



[Previous Page](#)

[Return To Product List](#)

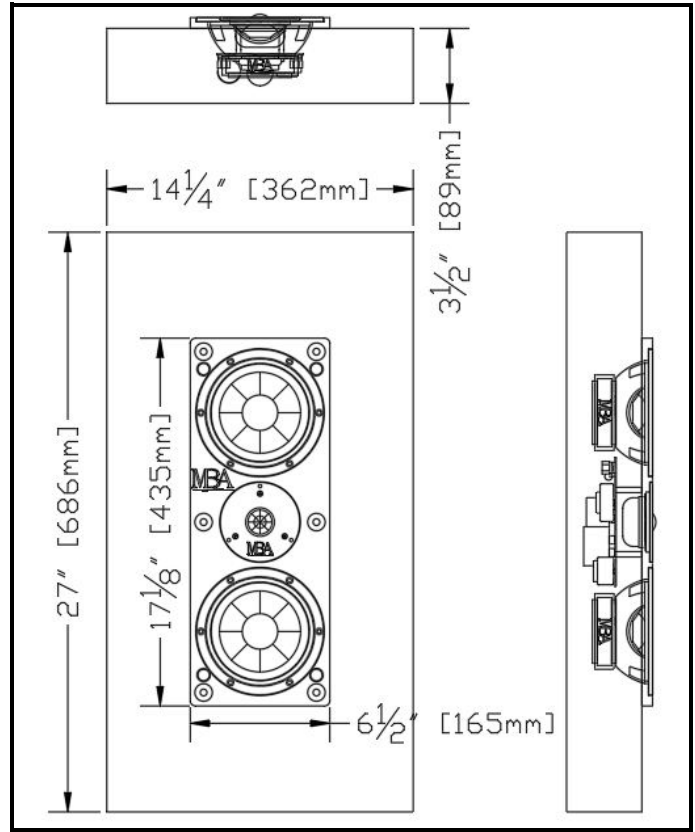
MBA 300 IW



The MBA 300 loudspeaker system integrates twin MBA 5.5" curvilinear Poly-Mica cone woofer drivers with the MBA 30mm silk-dome tweeter. Constructed with an HDF enclosure and a 1/2" thick MBX105 ultra high-density driver baffle (MBA proprietary fiber-reinforced composite).

Grilles

Most commonly, these loudspeakers are installed behind acoustic fabric and do not require grilles. However, many grille options exist.



[Click here to see a few grille examples](#)

[Alternate Configurations / Dimensions](#)

Specifications

Model MBA 300 IW	Channels 1
Maximum SPL @ 1m 119dB	Frequency Response 32Hz-22kHz
Minimum Amplifier Power 250W @ 4Ω	Maximum Amplifier Power 650W @ 4Ω
Nominal Impedance 4Ω	Sensitivity 89dB

Recommended Amplification

[MBA 200.6 Amplifier](#)

[MBA 300.8 Amplifier](#)

[Previous Page](#)

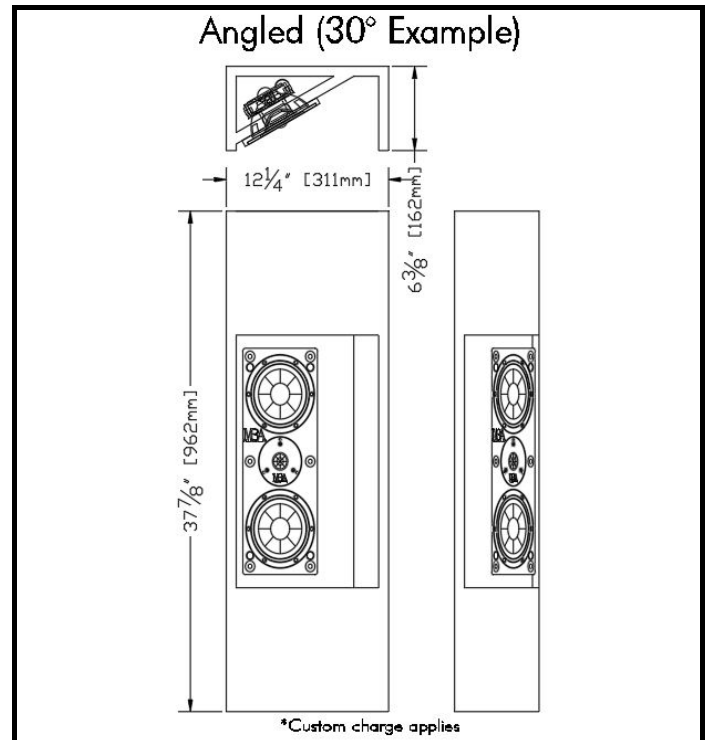
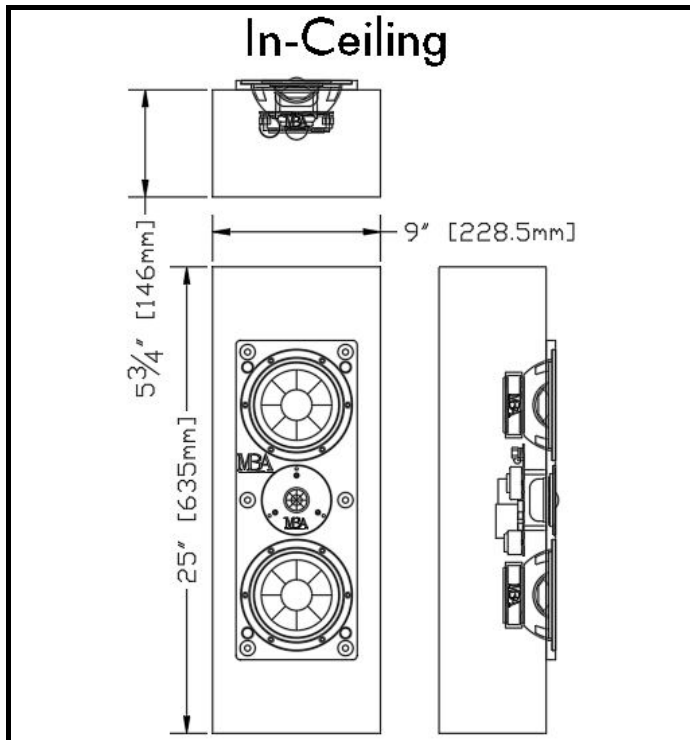
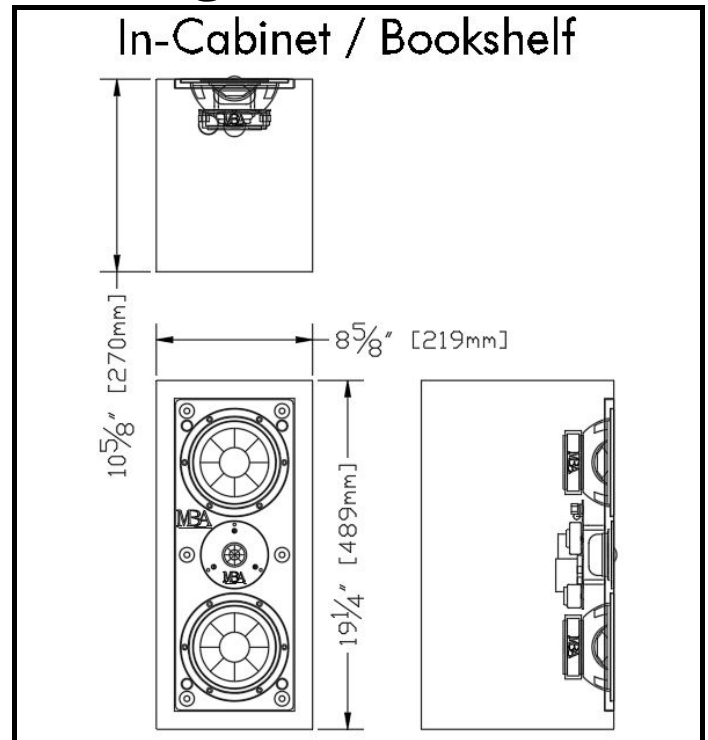
[Return To Product List](#)

MBA 300 - Other Configurations

MBA

MICHAEL BARR AUDIO TECHNOLOGY

Apart from the standard In-Wall configuration, this loudspeaker enclosure is also available in these other configurations; pricing may vary from standard In-Wall configuration. In addition to the options shown here, MBA can customize this loudspeaker to fit within virtually any other constraints your project may have, including custom L/W/H, C-shaped, L-shaped, notched, angled, soundbars, or combo boxes (combined with subwoofers). Just ask the MBA sales team for details of all your various options and pricing.



[Previous Page](#)

[Return To Product List](#)

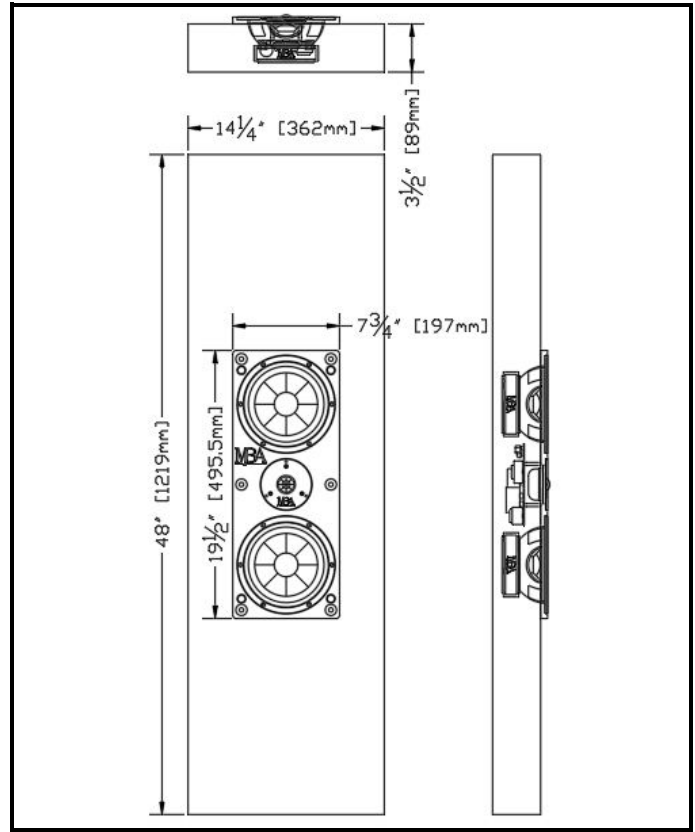
MBA 400 IW



The MBA 400 loudspeaker system integrates twin MBA 6.5" curvilinear Aluminum cone woofer drivers with the MBA 30mm silk-dome tweeter. Constructed with an HDF enclosure and a 1/2" thick MBX105 ultra high-density driver baffle (MBA proprietary fiber-reinforced composite).

Grilles

Most commonly, these loudspeakers are installed behind acoustic fabric and do not require grilles. However, many grille options exist.



[Click here to see a few grille examples](#)

[Alternate Configurations / Dimensions](#)

Specifications

Model MBA 400 IW	Channels 1
Maximum SPL @ 1m 119dB	Frequency Response 30Hz-22kHz
Minimum Amplifier Power 250W @ 4Ω	Maximum Amplifier Power 650W @ 4Ω
Nominal Impedance 4Ω	Sensitivity 89dB

Recommended Amplification

[MBA 200.6 Amplifier](#)

[MBA 300.8 Amplifier](#)

[Previous Page](#)

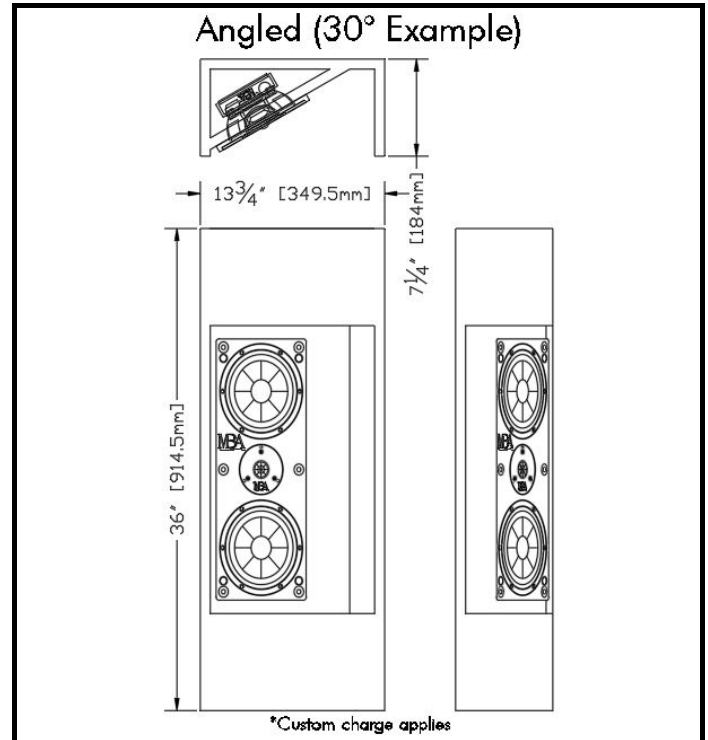
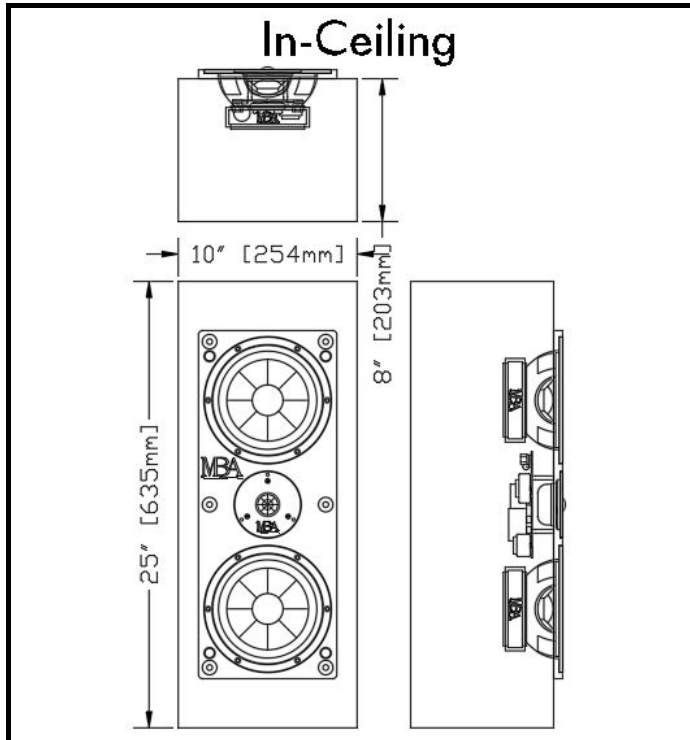
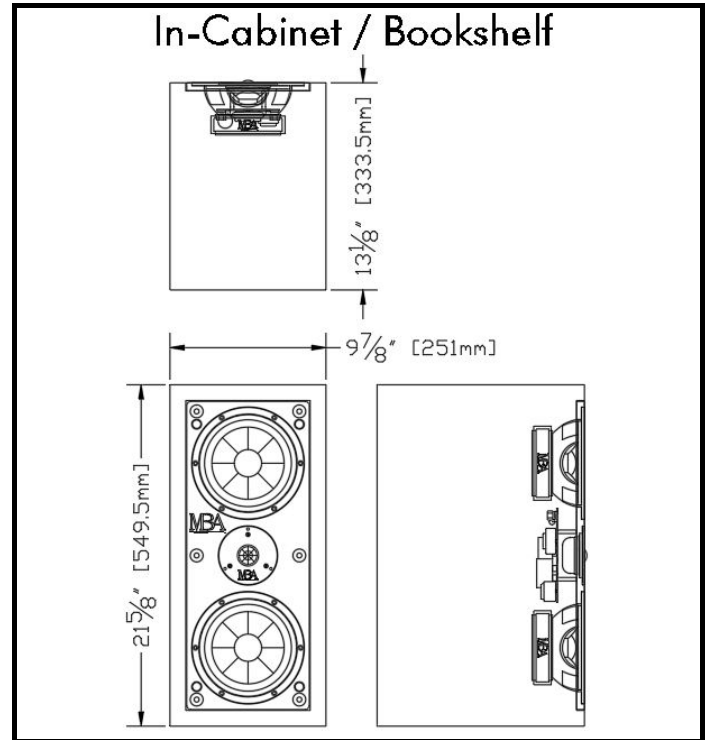
[Return To Product List](#)

MBA 400 - Other Configurations

MBA

MICHAEL BARR AUDIO TECHNOLOGY

Apart from the standard In-Wall configuration, this loudspeaker enclosure is also available in these other configurations; pricing may vary from standard In-Wall configuration. In addition to the options shown here, MBA can customize this loudspeaker to fit within virtually any other constraints your project may have, including custom L/W/H, C-shaped, L-shaped, notched, angled, soundbars, or combo boxes (combined with subwoofers). Just ask the MBA sales team for details of all your various options and pricing.



[Previous Page](#)

[Return To Product List](#)

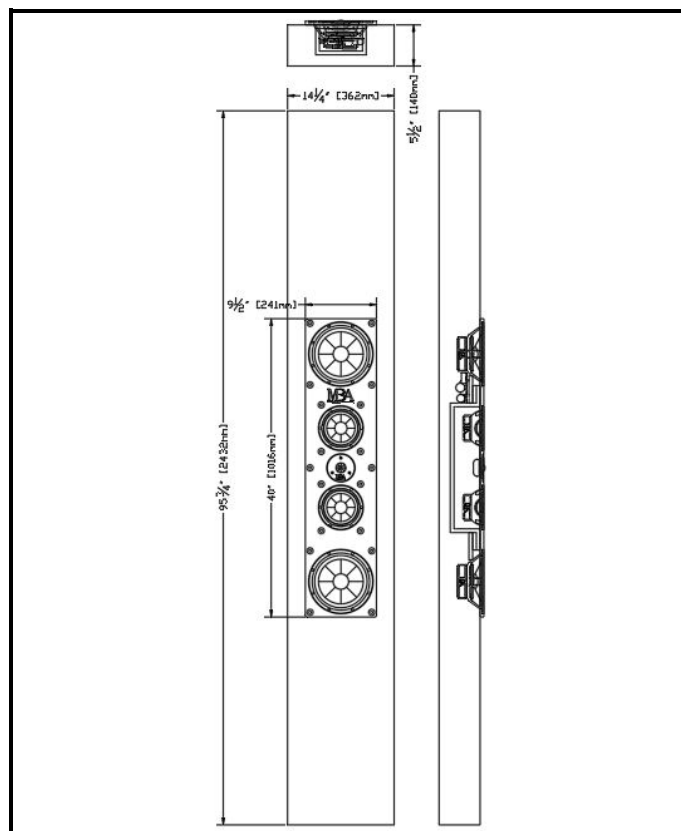
MBA 600 IW



The MBA 600 loudspeaker system integrates twin MBA 8" and twin MBA 5.5" curvilinear aluminum cone woofer drivers with a MBA 30mm silk-dome tweeter. Constructed with an HDF enclosure and a 1/2" thick MBX105 ultra high-density driver baffle (MBA proprietary fiber-reinforced composite).

Grilles

Most commonly, these loudspeakers are installed behind acoustic fabric and do not require grilles. However, many grille options exist.



[Click here to see a few grille examples](#)

[Alternate Configurations / Dimensions](#)

Specifications

Model MBA 600 IW	Channels 2
Maximum SPL @ 1m 119dB	Frequency Response 29Hz-24kHz
Minimum Amplifier Power 250W @ 4Ω	Maximum Amplifier Power 650W @ 4Ω
Nominal Impedance 4Ω	Sensitivity 90dB

Recommended Amplification

[MBA 200.6 Amplifier](#)

[MBA 300.8 Amplifier](#)

[Previous Page](#)

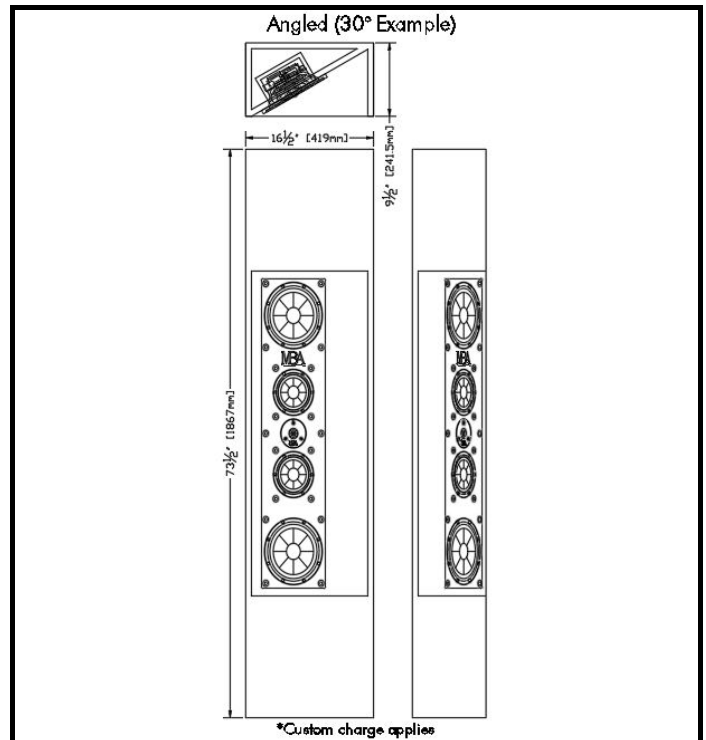
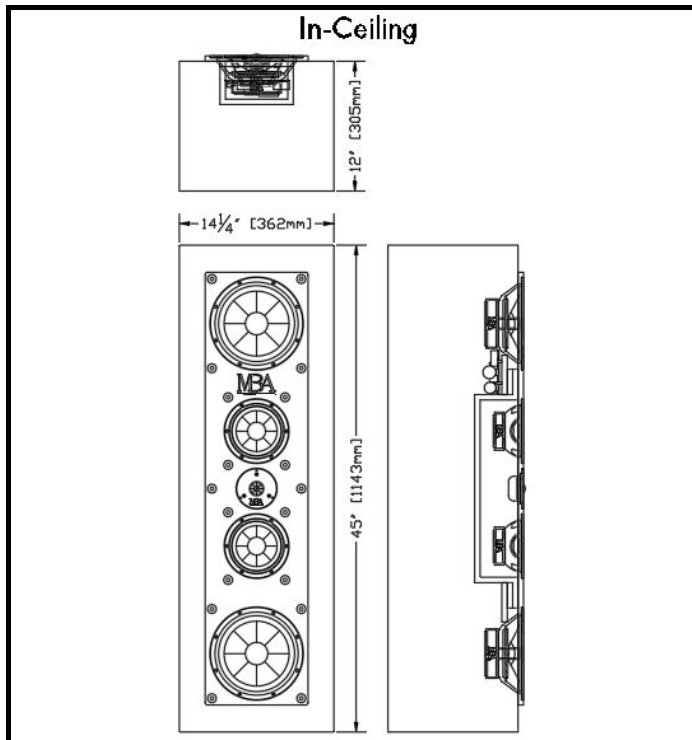
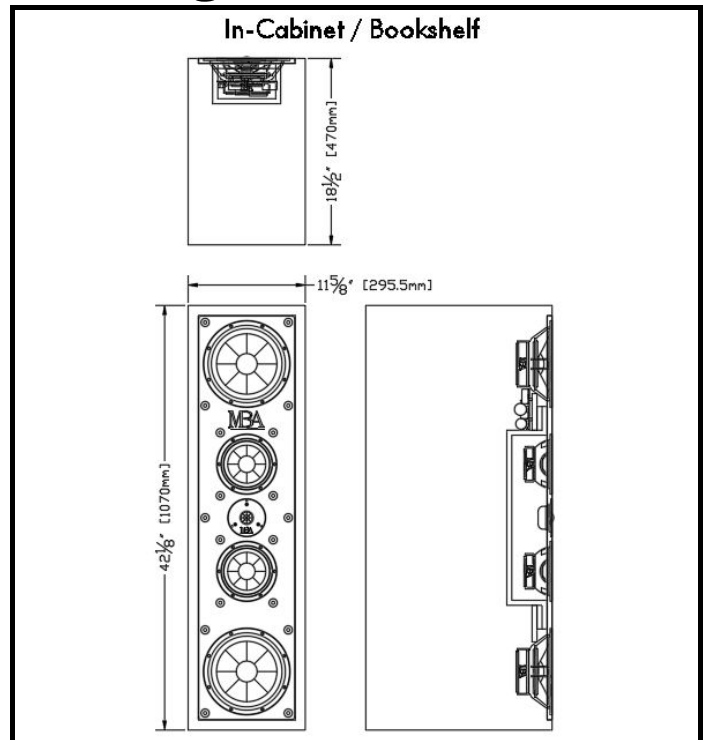
[Return To Product List](#)

MBA 600 - Other Configurations

MBA

MICHAEL BARR AUDIO TECHNOLOGY

Apart from the standard In-Wall configuration, this loudspeaker enclosure is also available in these other configurations; pricing may vary from standard In-Wall configuration. In addition to the options shown here, MBA can customize this loudspeaker to fit within virtually any other constraints your project may have, including custom L/W/H, C-shaped, L-shaped, notched, angled, soundbars, or combo boxes (combined with subwoofers). Just ask the MBA sales team for details of all your various options and pricing.



[Previous Page](#)

[Return To Product List](#)

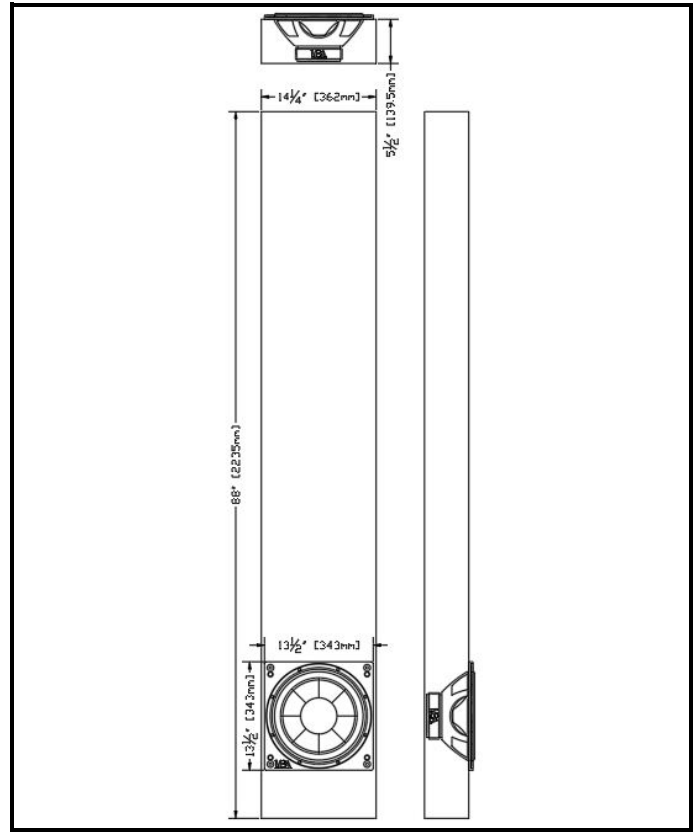
MBA S2 IW



This 12" curvilinear aluminum cone subwoofer will accurately reproduce low frequencies down to 22Hz. Constructed with an HDF enclosure and a 1/2" MBX105 ultra high-density driver baffle.

Grilles

Most commonly, these loudspeakers are installed behind acoustic fabric and do not require grilles. However, many grille options exist.



[Click here to see a few grille examples](#)

[Alternate Configurations / Dimensions](#)

Specifications

Model MBA S2 IW	Channels 1
Maximum SPL @ 1m 126dB	Frequency Response 22Hz-1kHz
Minimum Amplifier Power 250W @ 4Ω	Maximum Amplifier Power 650W @ 4Ω
Nominal Impedance 4Ω	Sensitivity 89dB

Recommended Amplification

[MBA 200.6 Amplifier](#)

[MBA 300.8 Amplifier](#)

[Previous Page](#)

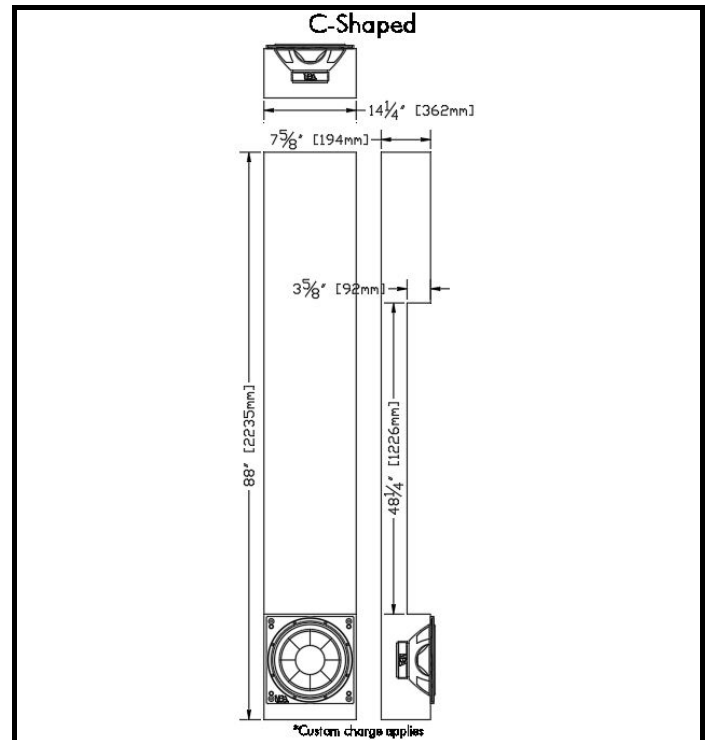
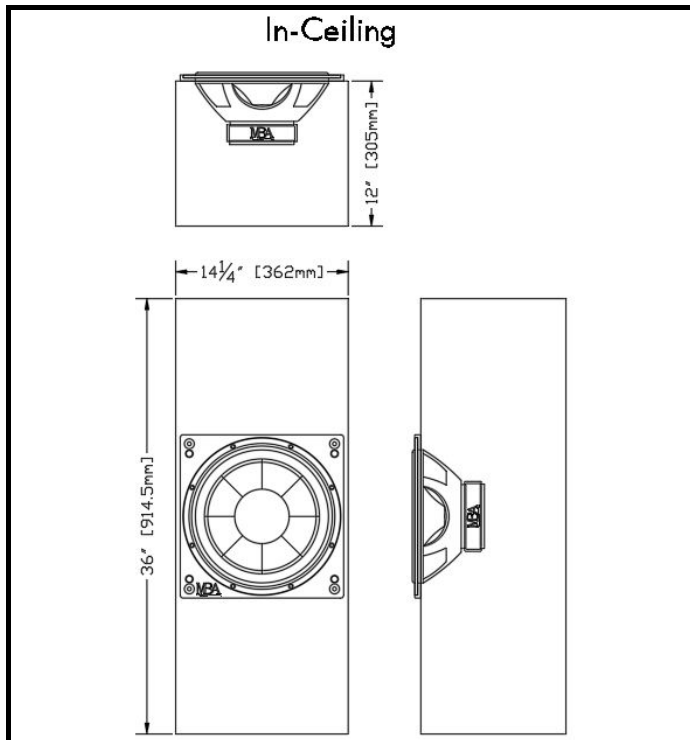
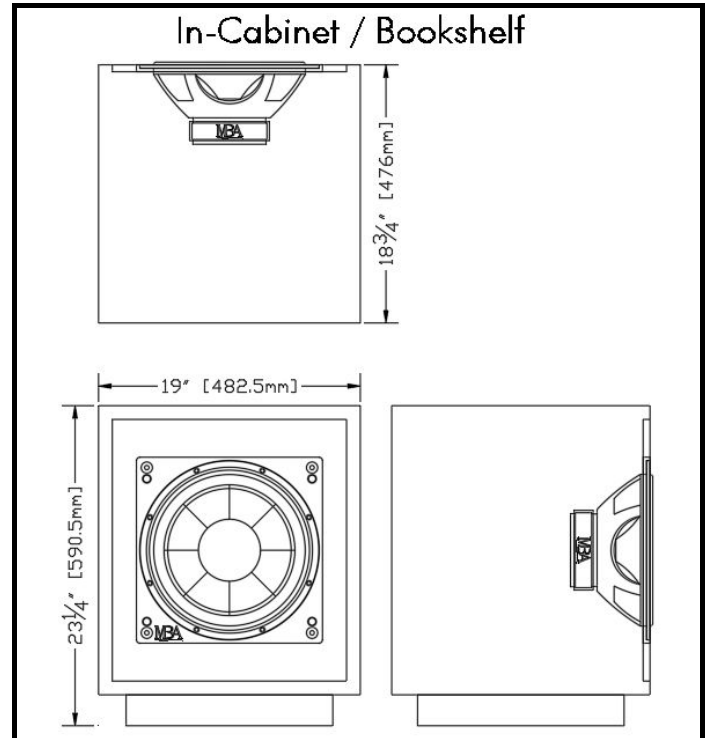
[Return To Product List](#)

MBA S2 - Other Configurations

MBA

MICHAEL BARR AUDIO TECHNOLOGY

Apart from the standard In-Wall configuration, this loudspeaker enclosure is also available in these other configurations; pricing may vary from standard In-Wall configuration. In addition to the options shown here, MBA can customize this loudspeaker to fit within virtually any other constraints your project may have, including custom L/W/H, C-shaped, L-shaped, notched, angled, soundbars, or combo boxes (combined with subwoofers). Just ask the MBA sales team for details of all your various options and pricing.



[Previous Page](#)

[Return To Product List](#)

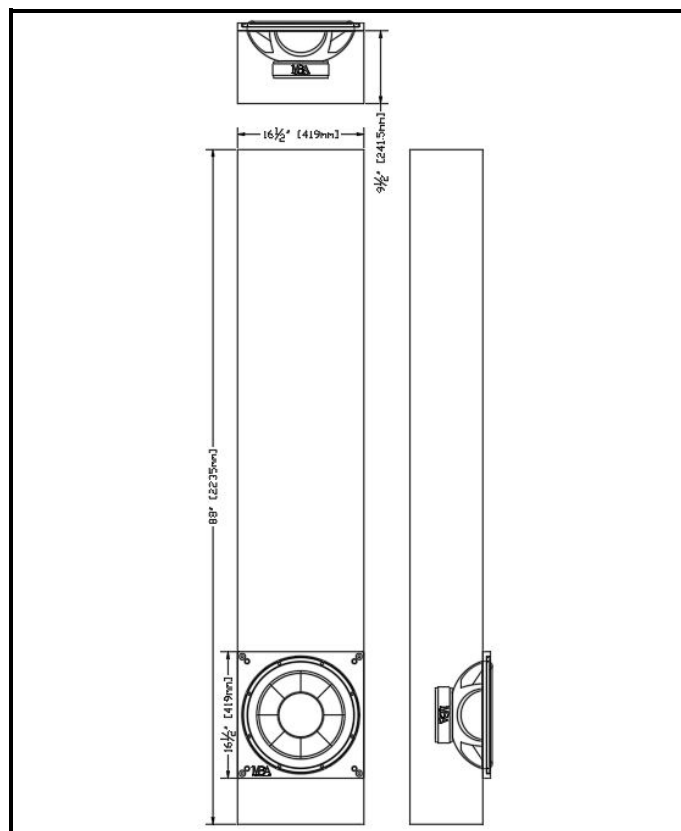
MBA S3 IW



This 15" aluminum cone subwoofer will accurately reproduce low frequencies down below 15Hz. An oversized ceramic magnet provides massive power handling capabilities. Constructed with an HDF enclosure and a 1" thick MBX105 ultra high-density driver baffle (MBA Propriety fiber-reinforced composite).

Grilles

Most commonly, these loudspeakers are installed behind acoustic fabric and do not require grilles. However, many grille options exist.



[Click here to see a few grille examples](#)

[Alternate Configurations / Dimensions](#)

Specifications

Model MBA S3 IW	Channels 1
Maximum SPL @ 1m 125dB	Frequency Response 17Hz-1000kHz
Minimum Amplifier Power 300W @ 4Ω	Maximum Amplifier Power 650W @ 4Ω
Nominal Impedance 4Ω	Sensitivity 90dB

Recommended Amplification

MBA 300.8 Amplifier

[Previous Page](#)

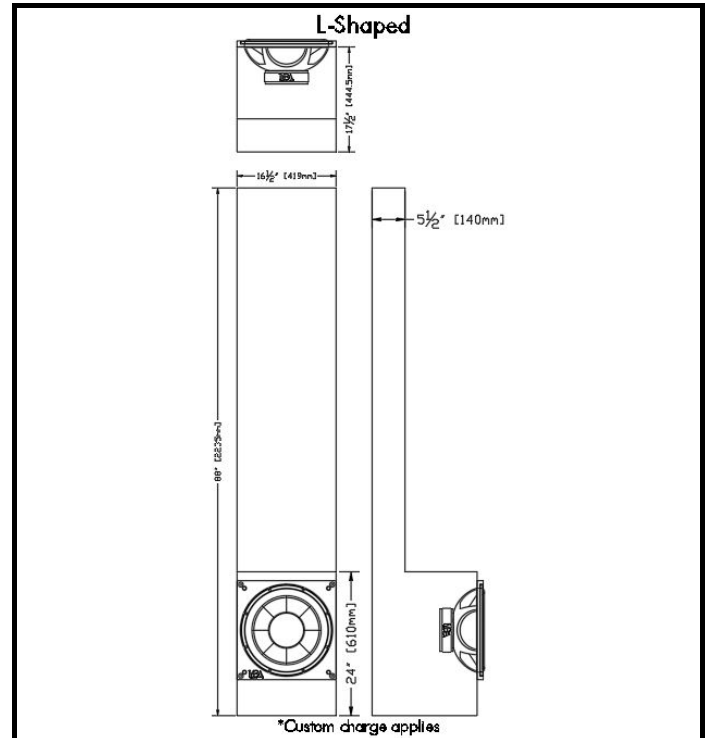
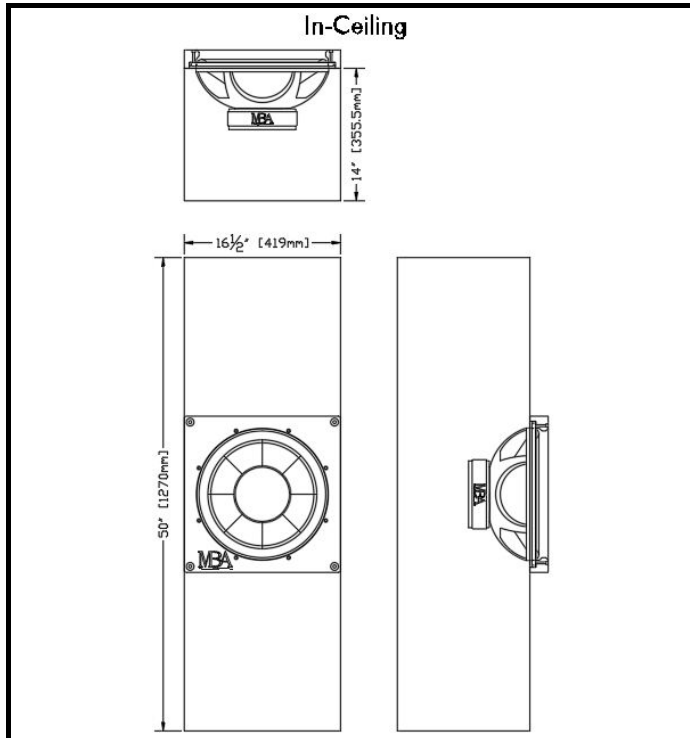
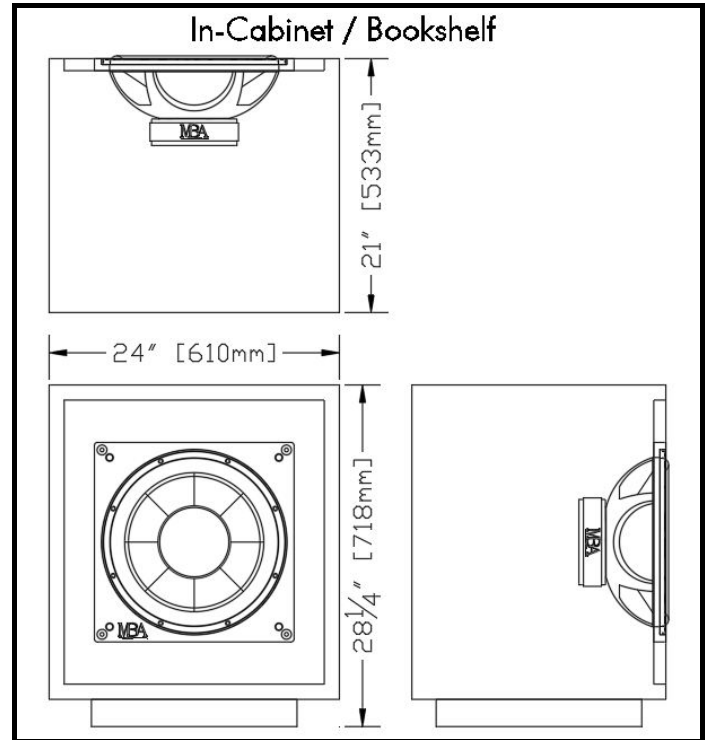
[Return To Product List](#)

MBA S3 - Other Configurations

MBA

MICHAEL BARR AUDIO TECHNOLOGY

Apart from the standard In-Wall configuration, this loudspeaker enclosure is also available in these other configurations; pricing may vary from standard In-Wall configuration. In addition to the options shown here, MBA can customize this loudspeaker to fit within virtually any other constraints your project may have, including custom L/W/H, C-shaped, L-shaped, notched, angled, soundbars, or combo boxes (combined with subwoofers). Just ask the MBA sales team for details of all your various options and pricing.



[Previous Page](#)

[Return To Product List](#)

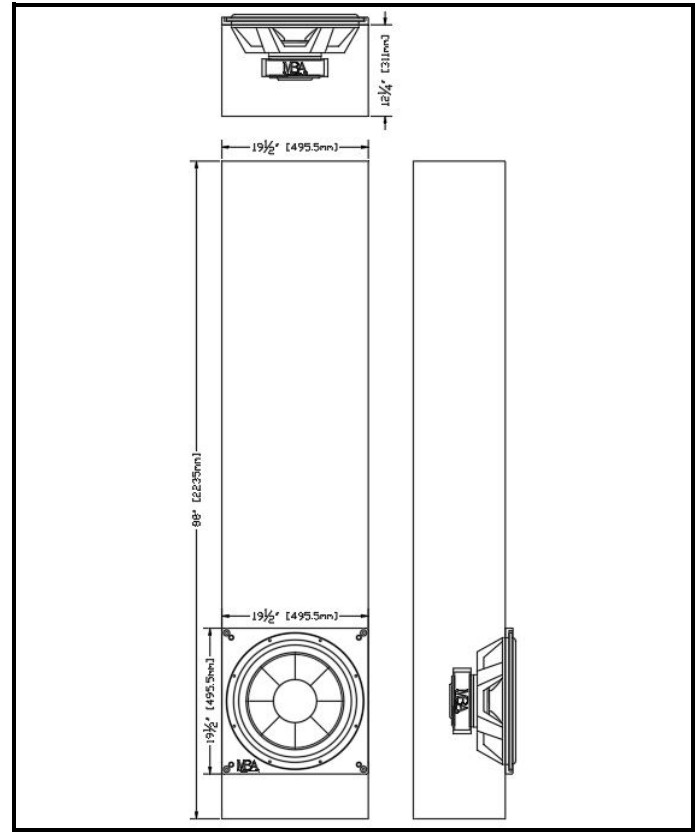
MBA S4 IW



This 18" curvilinear aluminum cone subwoofer will accurately reproduce low frequencies down below 15Hz. An oversized ceramic magnet provides massive power handling capabilities. Constructed with an HDF enclosure and a 1" thick MBX105 ultra high-density driver baffle (MBA Propriety fiber-reinforced composite).

Grilles

Most commonly, these loudspeakers are installed behind acoustic fabric and do not require grilles. However, many grille options exist.



[Click here to see a few grille examples](#)

[Alternate Configurations / Dimensions](#)

Specifications

Model MBA S4 IW	Channels 1
Maximum SPL @ 1m 128dB	Frequency Response 10Hz-1000kHz
Minimum Amplifier Power 300W @ 4Ω	Maximum Amplifier Power 650W @ 4Ω
Nominal Impedence 4Ω	Sensitivity 90dB

Recommended Amplification

MBA 300.8 Amplifier

[Previous Page](#)

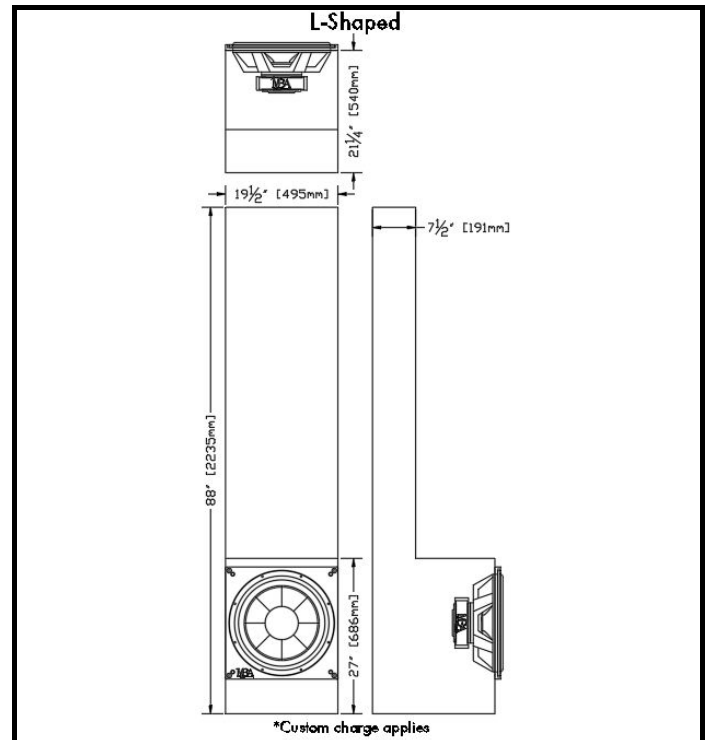
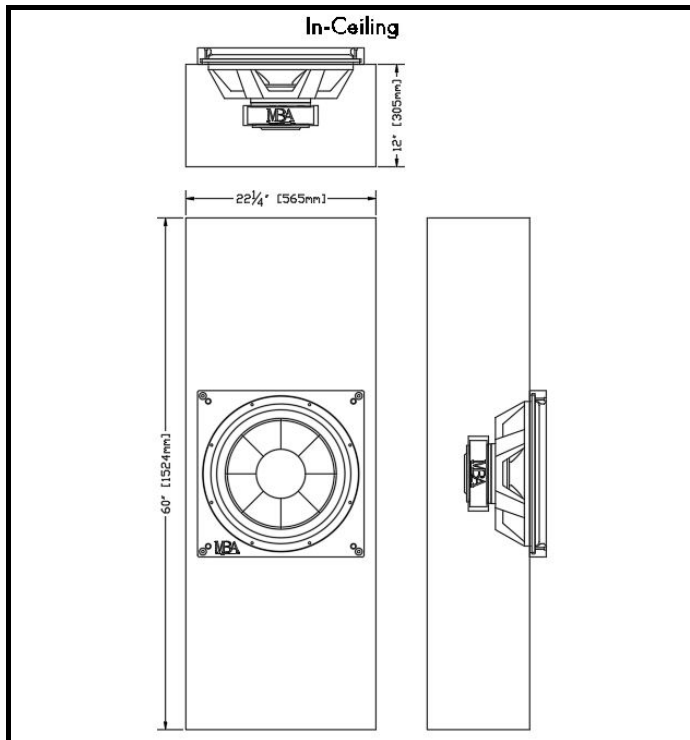
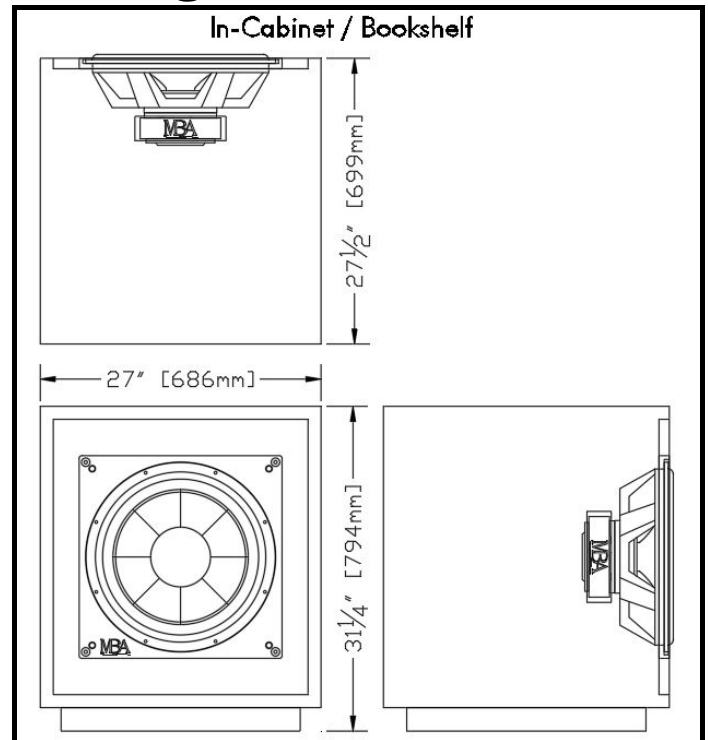
[Return To Product List](#)

MBA S4 - Other Configurations

MBA

MICHAEL BARR AUDIO TECHNOLOGY

Apart from the standard In-Wall configuration, this loudspeaker enclosure is also available in these other configurations; pricing may vary from standard In-Wall configuration. In addition to the options shown here, MBA can customize this loudspeaker to fit within virtually any other constraints your project may have, including custom L/W/H, C-shaped, L-shaped, notched, angled, soundbars, or combo boxes (combined with subwoofers). Just ask the MBA sales team for details of all your various options and pricing.



[Previous Page](#)

[Return To Product List](#)

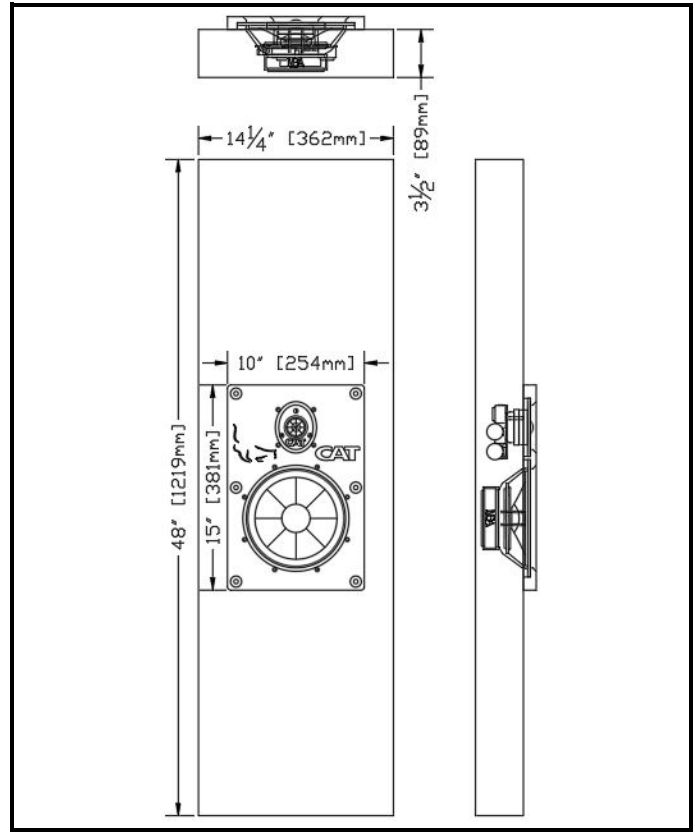
MBA Elite 200EX IW



The MBA Elite 200EX loudspeaker system integrates a MBA Elite 8.5" copper phase plug curvilinear aluminum cone woofer driver with the MBA Elite 30mm silk-dome tweeter, providing the MBA Elite 200EX with extended SPL and the most critical performance benefits of the renowned MBX tweeter. Constructed with an HDF enclosure and a 1" thick MBX105 ultra high-density driver baffle (MBA proprietary fiber-reinforced composite).

Grilles

Most commonly, these loudspeakers are installed behind acoustic fabric and do not require grilles. However, many grille options exist.



[Click here to see a few grille examples](#)

[Alternate Configurations / Dimensions](#)

Specifications

Model MBA Elite 200EX IW	Channels 1
Maximum SPL @ 1m 125dB	Frequency Response 30Hz-24kHz
Minimum Amplifier Power 300W @ 4Ω	Maximum Amplifier Power 650W @ 4Ω
Nominal Impedance 4Ω	Sensitivity 89dB

Recommended Amplification

MBA 300.8 Amplifier

[Previous Page](#)

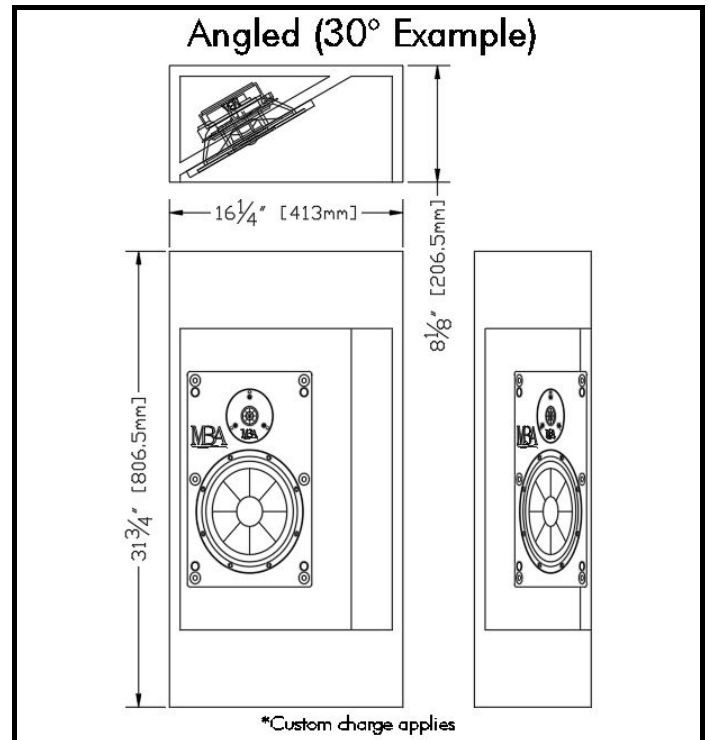
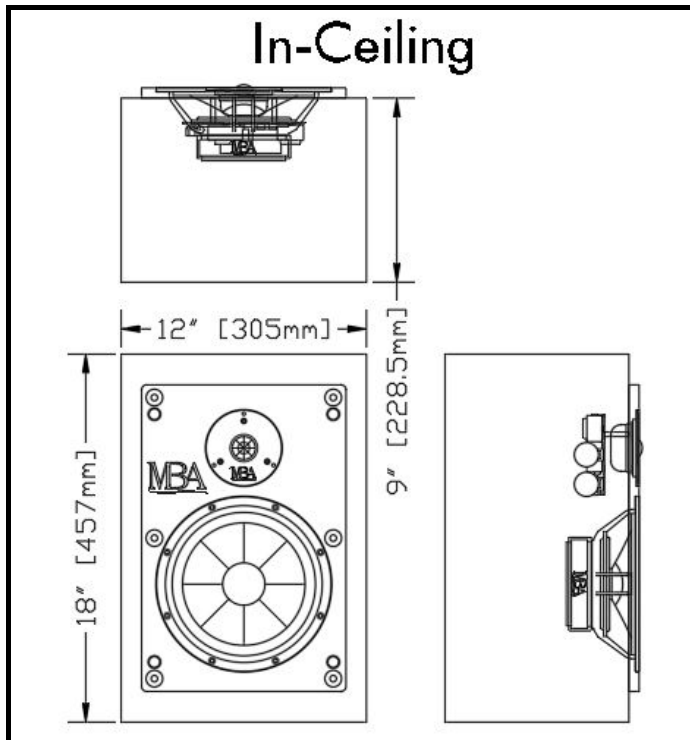
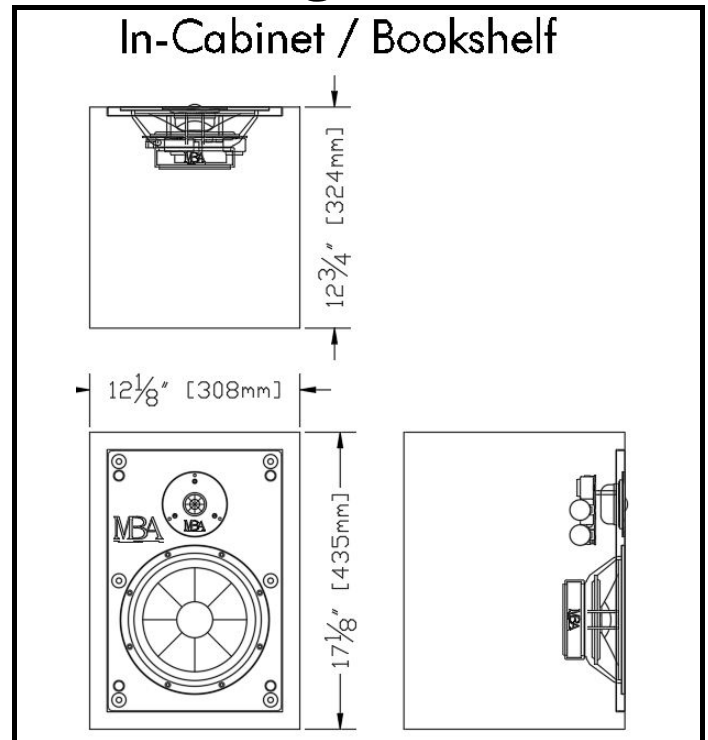
[Return To Product List](#)

MBA Elite 200EX - Other Configurations

MBA

MICHAEL BARR AUDIO TECHNOLOGY

Apart from the standard In-Wall configuration, this loudspeaker enclosure is also available in these other configurations; pricing may vary from standard In-Wall configuration. In addition to the options shown here, MBA can customize this loudspeaker to fit within virtually any other constraints your project may have, including custom L/W/H, C-shaped, L-shaped, notched, angled, soundbars, or combo boxes (combined with subwoofers). Just ask the MBA sales team for details of all your various options and pricing.



[Previous Page](#)

[Return To Product List](#)

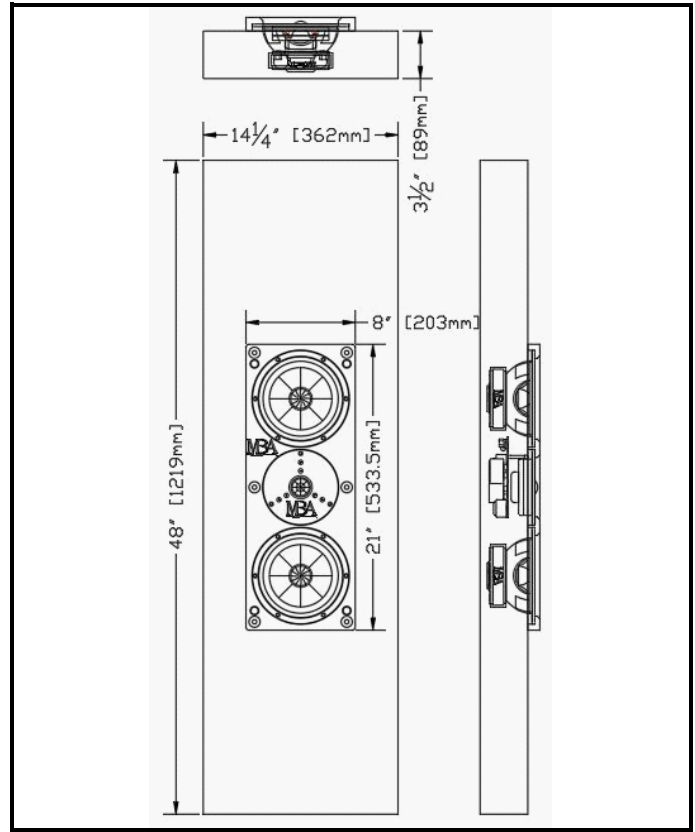
MBA Elite 400EX IW



The MBA Elite 400EX loudspeaker system integrates twin MBA 6.5" curvilinear Poly-Mica cone woofer drivers with the MBA Elite 30mm silk-dome tweeter. Constructed with an HDF enclosure and a 1" thick MBX105 ultra high-density driver baffle (MBA proprietary fiber-reinforced composite).

Grilles

Most commonly, these loudspeakers are installed behind acoustic fabric and do not require grilles. However, many grille options exist.



[Click here to see a few grille examples](#)

[Alternate Configurations / Dimensions](#)

Specifications

Model MBA Elite 400EX IW	Channels 1
Maximum SPL @ 1m 125dB	Frequency Response 30Hz-22kHz
Minimum Amplifier Power 300W @ 4Ω	Maximum Amplifier Power 650W @ 4Ω
Nominal Impedance 4Ω	Sensitivity 89dB

Recommended Amplification

MBA 300.8 Amplifier

[Previous Page](#)

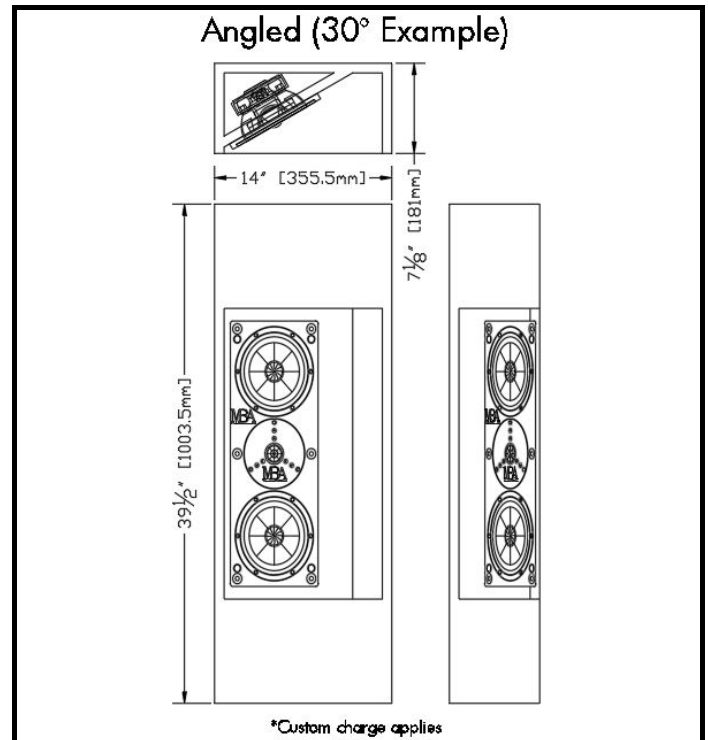
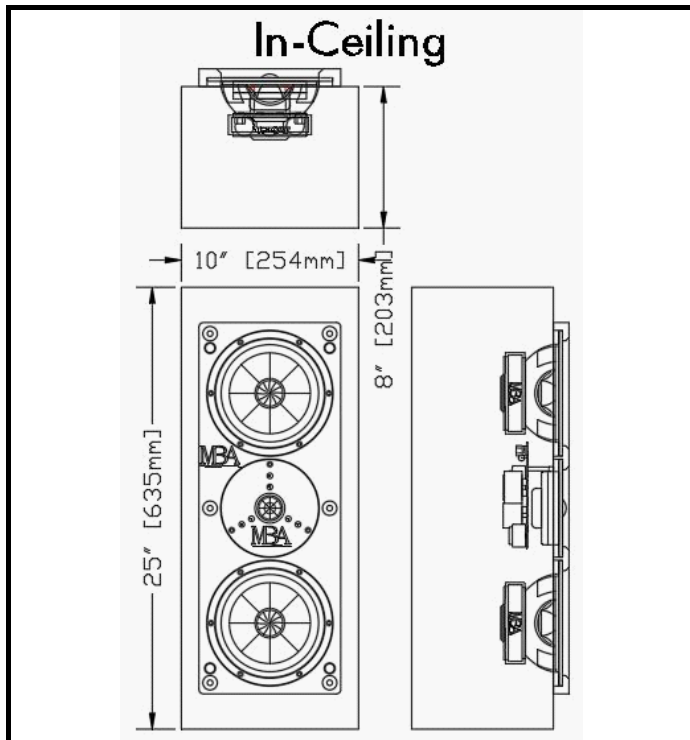
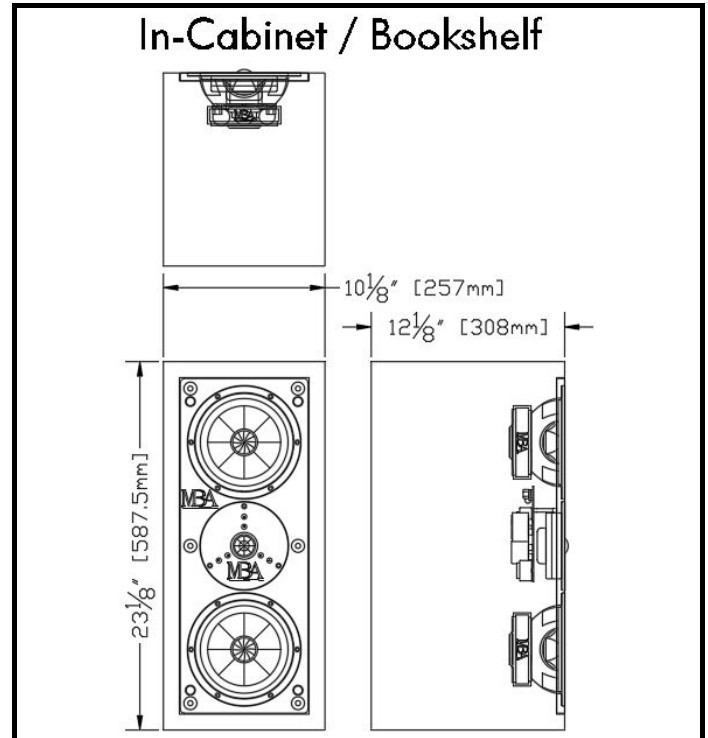
[Return To Product List](#)

MBA Elite 400EX - Other Configurations

MBA

MICHAEL BARR AUDIO TECHNOLOGY

Apart from the standard In-Wall configuration, this loudspeaker enclosure is also available in these other configurations; pricing may vary from standard In-Wall configuration. In addition to the options shown here, MBA can customize this loudspeaker to fit within virtually any other constraints your project may have, including custom L/W/H, C-shaped, L-shaped, notched, angled, soundbars, or combo boxes (combined with subwoofers). Just ask the MBA sales team for details of all your various options and pricing.



[Previous Page](#)

[Return To Product List](#)

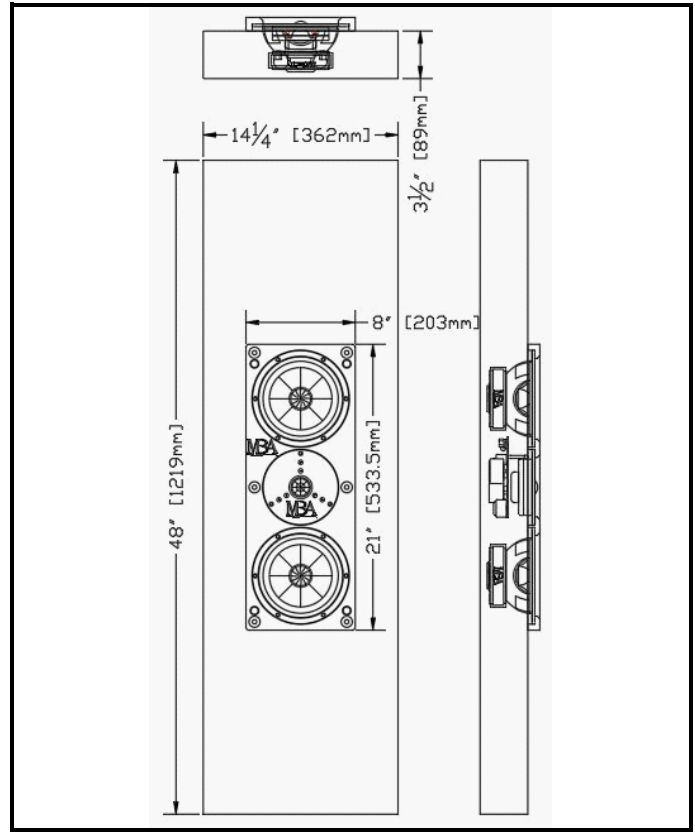
MBA Elite 700 IW



The MBA Elite 700 loudspeaker system integrates twin MBA Elite 6.5" copper phase plug curvilinear aluminum cone woofer drivers with the MBA Elite 30mm silk-dome tweeter. Constructed with an HDF enclosure and a 1" thick MBX105 ultra high-density driver baffle (MBA proprietary fiber-reinforced composite).

Grilles

Most commonly, these loudspeakers are installed behind acoustic fabric and do not require grilles. However, many grille options exist.



[Click here to see a few grille examples](#)

[Alternate Configurations / Dimensions](#)

Specifications

Model MBA Elite 700 IW	Channels 1
Maximum SPL @ 1m 131dB	Frequency Response 29Hz-24kHz
Minimum Amplifier Power 300W @ 4Ω	Maximum Amplifier Power Unlimited* @ 4Ω
Nominal Impedence 4Ω	Sensitivity 90dB

**Unlimited max. clean power, when calibrated by Michael Barr Audio Technology w/ MBX DSP*

Recommended Amplification

[MBX 1250.2 Amplifier](#)

[MBA 300.8 Amplifier](#)

[Previous Page](#)

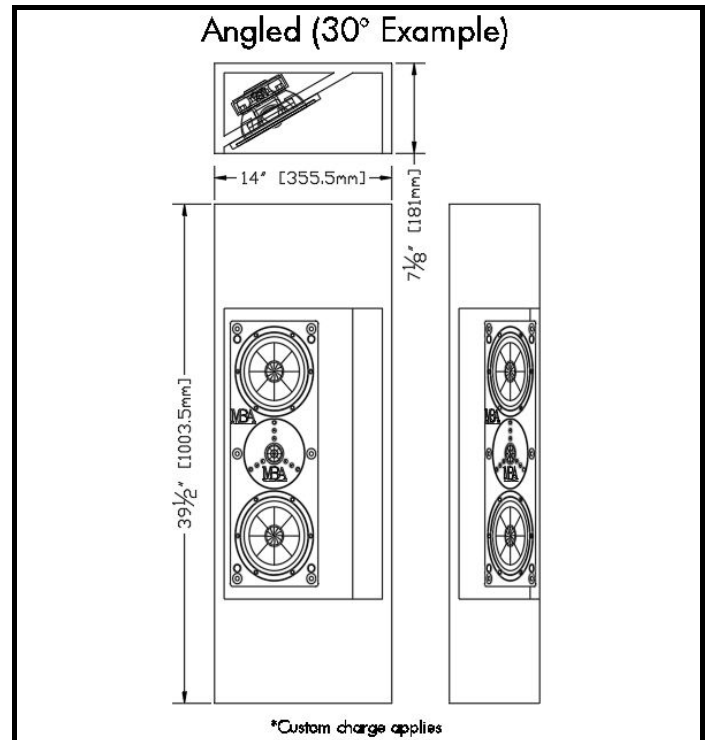
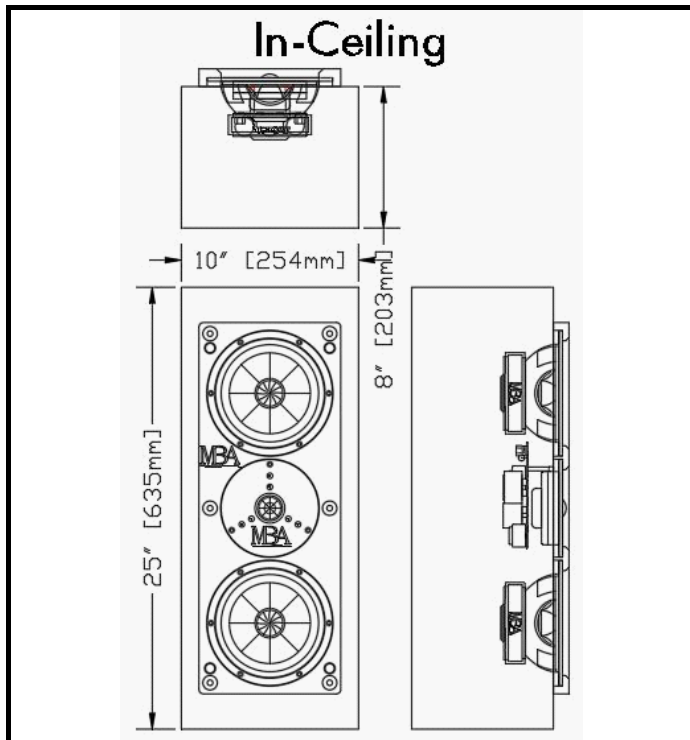
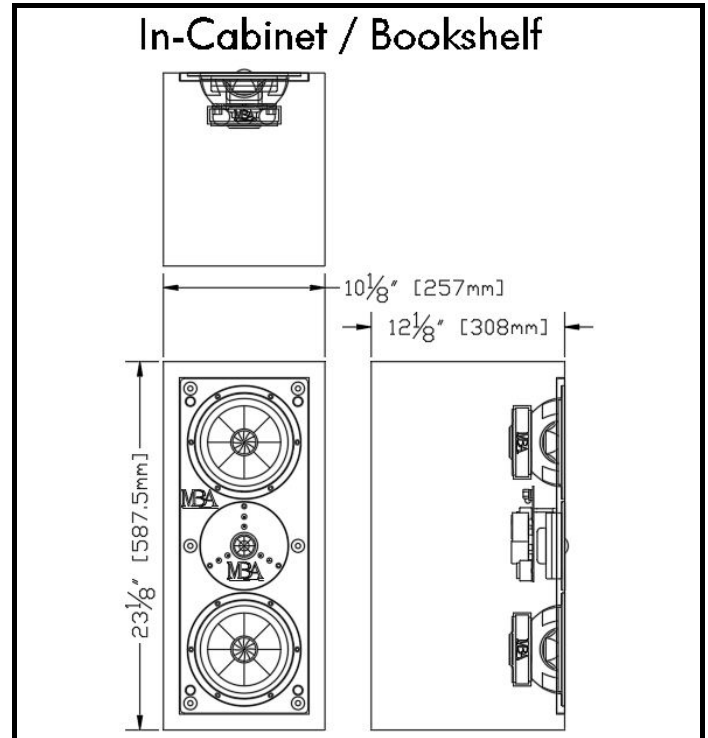
[Return To Product List](#)

MBA Elite 700 - Other Configurations

MBA

MICHAEL BARR AUDIO TECHNOLOGY

Apart from the standard In-Wall configuration, this loudspeaker enclosure is also available in these other configurations; pricing may vary from standard In-Wall configuration. In addition to the options shown here, MBA can customize this loudspeaker to fit within virtually any other constraints your project may have, including custom L/W/H, C-shaped, L-shaped, notched, angled, soundbars, or combo boxes (combined with subwoofers). Just ask the MBA sales team for details of all your various options and pricing.



[Previous Page](#)

[Return To Product List](#)

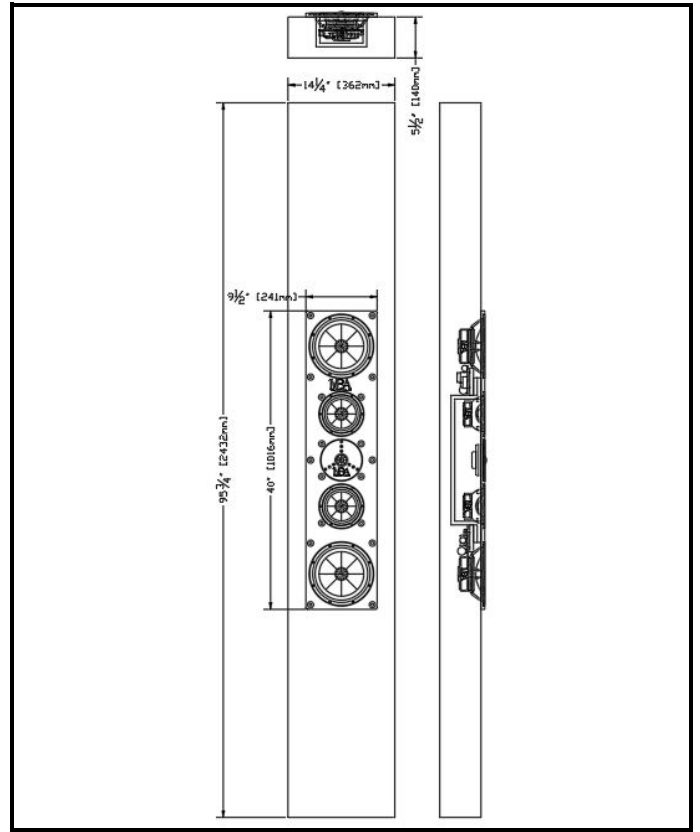
MBA Elite 800 IW



The MBA Elite 800 loudspeaker system integrates twin MBA Elite 8" and twin MBA Elite 5.5" copper phase plug curvilinear aluminum cone woofer drivers with a MBA Elite 30mm silk-dome tweeter. Constructed with an HDF enclosure and a 1/2" thick MBX105 ultra high-density driver baffle (MBA proprietary fiber-reinforced composite).

Grilles

Most commonly, these loudspeakers are installed behind acoustic fabric and do not require grilles. However, many grille options exist.



[Click here to see a few grille examples](#)

[Alternate Configurations / Dimensions](#)

Specifications

Model MBA Elite 800 IW	Channels 2
Maximum SPL @ 1m 131dB	Frequency Response 29Hz-24kHz
Minimum Amplifier Power 500W @ 4Ω	Maximum Amplifier Power Unlimited* @ 4Ω
Nominal Impedance 4Ω	Sensitivity 90dB

**Unlimited max. clean power, when calibrated by Michael Barr Audio Technology w/ MBX DSP*

Recommended Amplification

[MBX 1250.2 Amplifier](#)

[MBA 300.8 Amplifier](#)

[Previous Page](#)

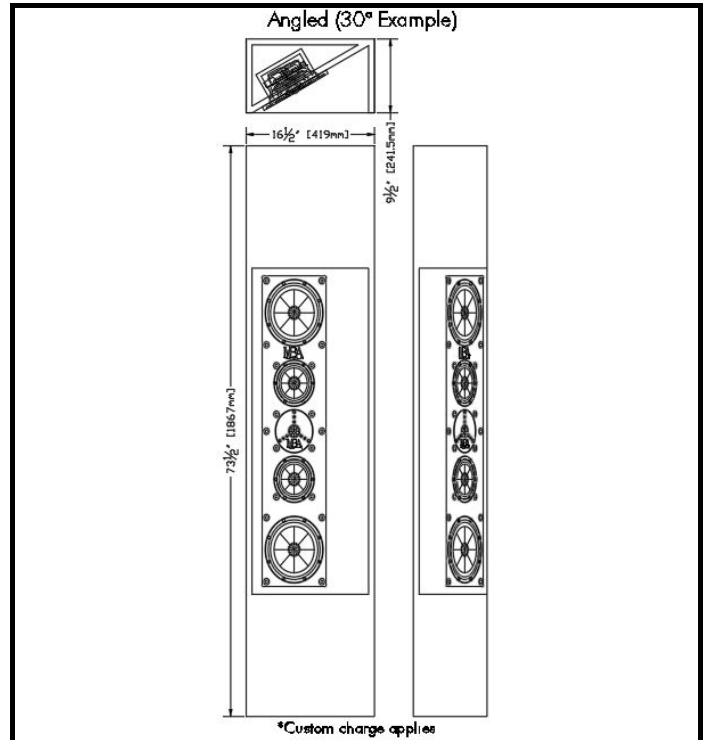
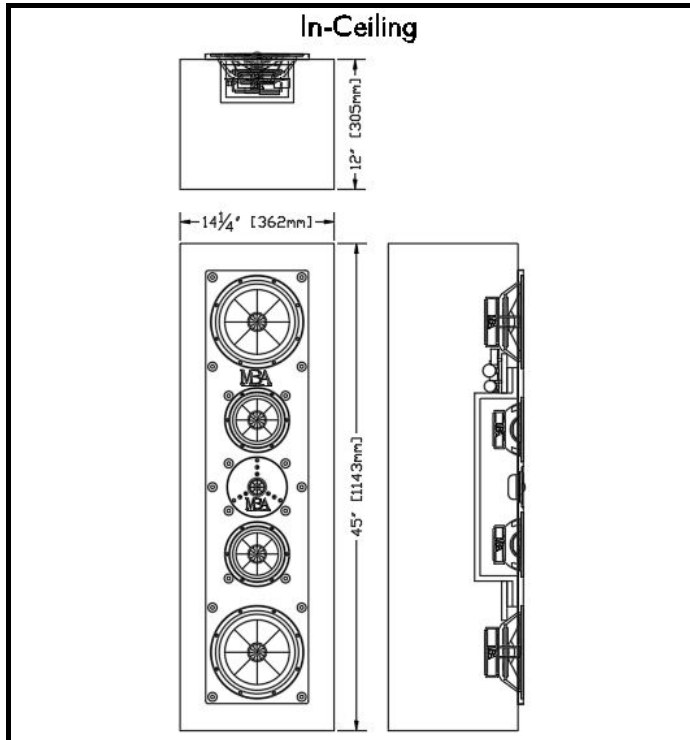
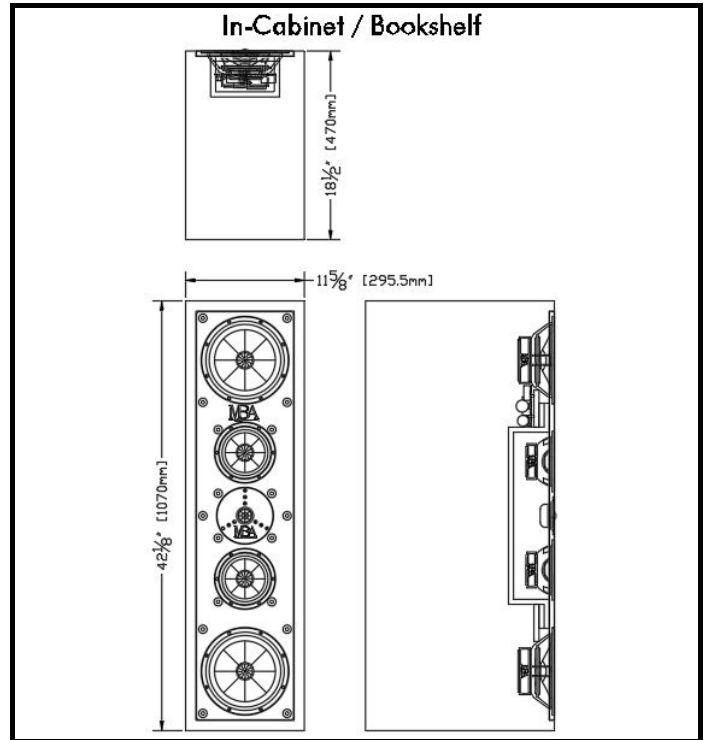
[Return To Product List](#)

MBA Elite 800 - Other Configurations

MBA

MICHAEL BARR AUDIO TECHNOLOGY

Apart from the standard In-Wall configuration, this loudspeaker enclosure is also available in these other configurations; pricing may vary from standard In-Wall configuration. In addition to the options shown here, MBA can customize this loudspeaker to fit within virtually any other constraints your project may have, including custom L/W/H, C-shaped, L-shaped, notched, angled, soundbars, or combo boxes (combined with subwoofers). Just ask the MBA sales team for details of all your various options and pricing.



[Previous Page](#)

[Return To Product List](#)

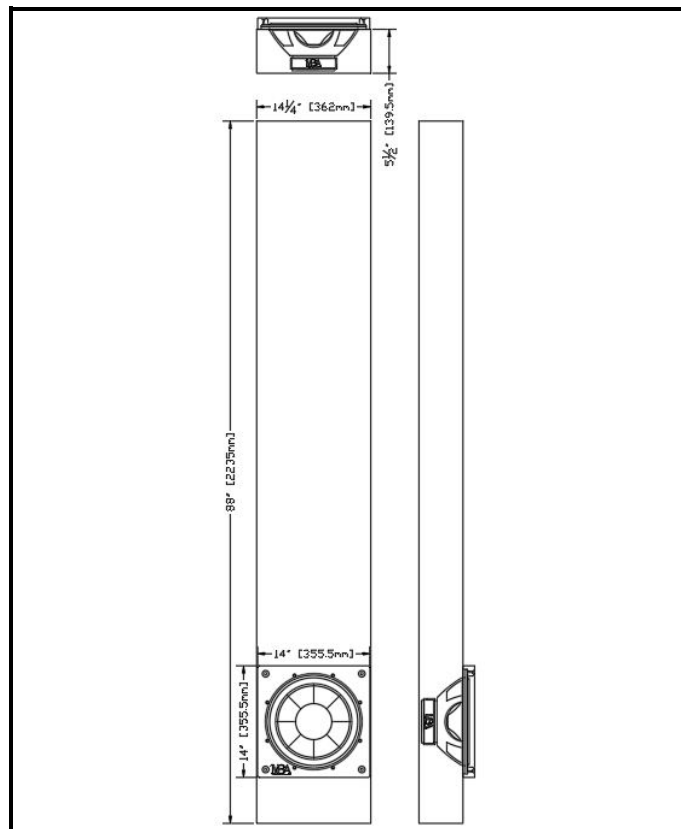
MBA Elite S5 IW



This 12" curvilinear aluminum cone subwoofer will accurately reproduce low frequencies down below 19Hz. Constructed with an HDF enclosure and a 1.5" MBX105 ultra high-density driver baffle (MBA proprietary fiber-reinforced composite).

Grilles

Most commonly, these loudspeakers are installed behind acoustic fabric and do not require grilles. However, many grille options exist.



[Click here to see a few grille examples](#)

[Alternate Configurations / Dimensions](#)

Specifications

Model MBA Elite S5 IW	Channels 1
Maximum SPL @ 1m 129dB	Frequency Response 20Hz-1kHz
Minimum Amplifier Power 300W @ 4Ω	Maximum Amplifier Power Unlimited* @ 4Ω
Nominal Impedance 4Ω	Sensitivity 90dB

**Unlimited max. clean power, when calibrated by Michael Barr Audio Technology w/ MBX DSP*

Recommended Amplification

[MBX 1250.2 Amplifier](#)

[MBA 300.8 Amplifier](#)

[Previous Page](#)

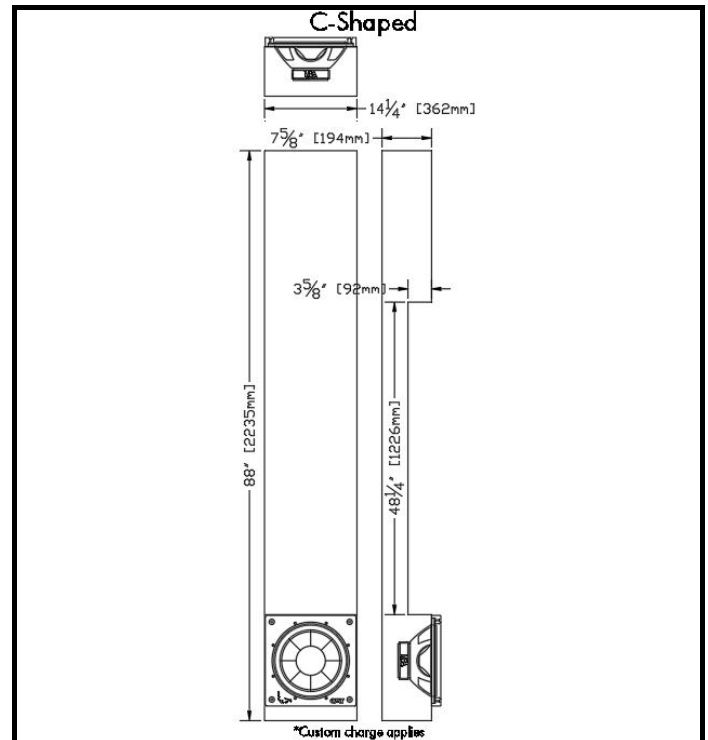
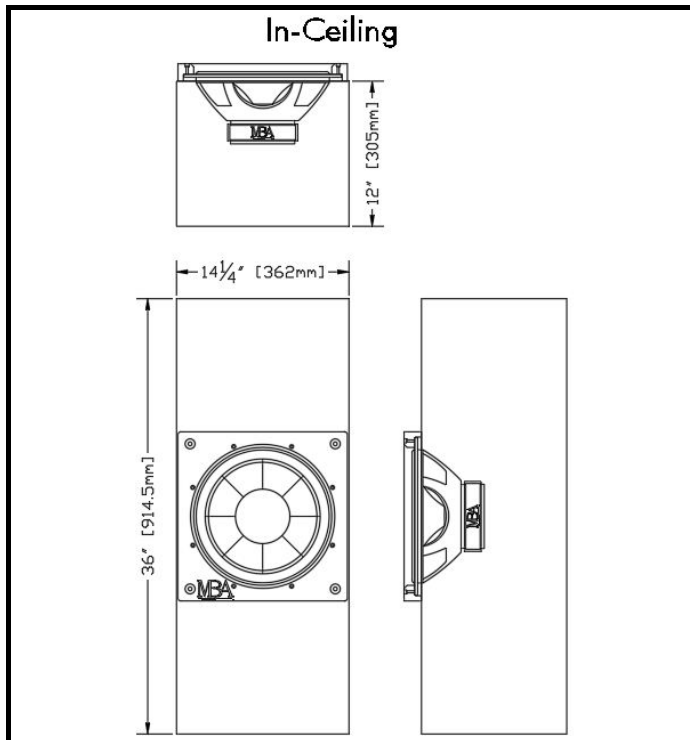
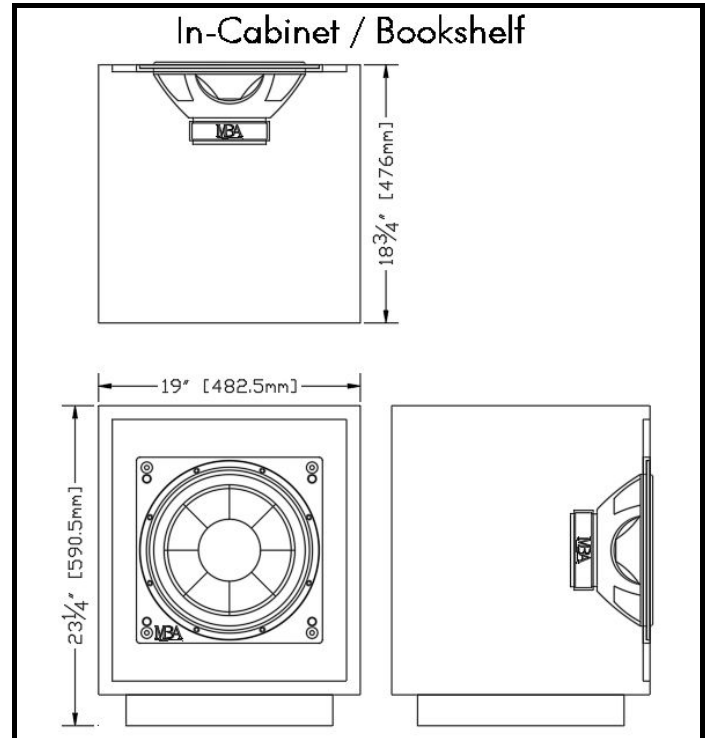
[Return To Product List](#)

MBA Elite S5 - Other Configurations

MBA

MICHAEL BARR AUDIO TECHNOLOGY

Apart from the standard In-Wall configuration, this loudspeaker enclosure is also available in these other configurations; pricing may vary from standard In-Wall configuration. In addition to the options shown here, MBA can customize this loudspeaker to fit within virtually any other constraints your project may have, including custom L/W/H, C-shaped, L-shaped, notched, angled, soundbars, or combo boxes (combined with subwoofers). Just ask the MBA sales team for details of all your various options and pricing.



[Previous Page](#)

[Return To Product List](#)

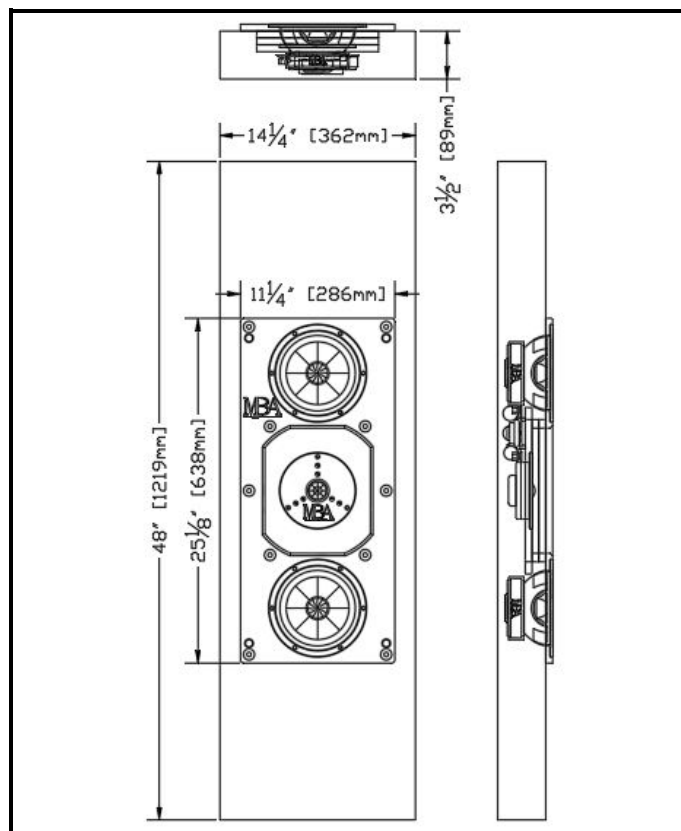
MBX 900 IW



The MBX 900 loudspeaker system physically aligns signal paths and integrates twin MBX 6.5" copper phase plug curvilinear aluminum cone woofer drivers with the MBX 30mm silk-dome tweeter. Constructed with an HDF enclosure and a 1/2" thick MBX105 ultra high-density driver baffle (MBA proprietary fiber-reinforced composite).

Grilles

Most commonly, these loudspeakers are installed behind acoustic fabric and do not require grilles. However, many grille options exist.



[Click here to see a few grille examples](#)

[Alternate Configurations / Dimensions](#)

Specifications

Model MBX 900 IW	Channels 1
Maximum SPL @ 1m 131dB	Frequency Response 29Hz-24kHz
Minimum Amplifier Power 300W @ 4Ω	Maximum Amplifier Power Unlimited* @ 4Ω
Nominal Impedance 4Ω	Sensitivity 90dB

**Unlimited max. clean power, when calibrated by Michael Barr Audio Technology w/ MBX DSP*

Recommended Amplification

[MBX 1250.2 Amplifier](#)

[MBA 300.8 Amplifier](#)

[Previous Page](#)

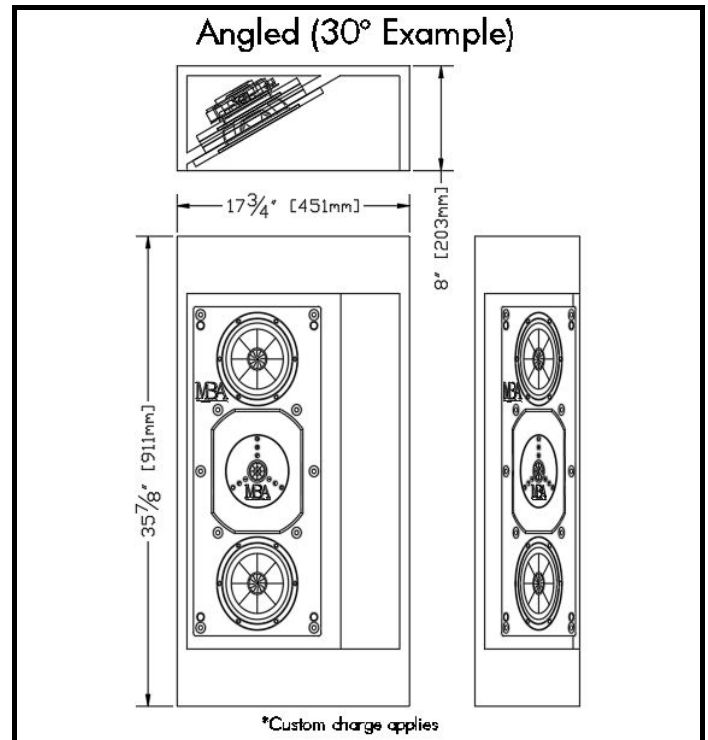
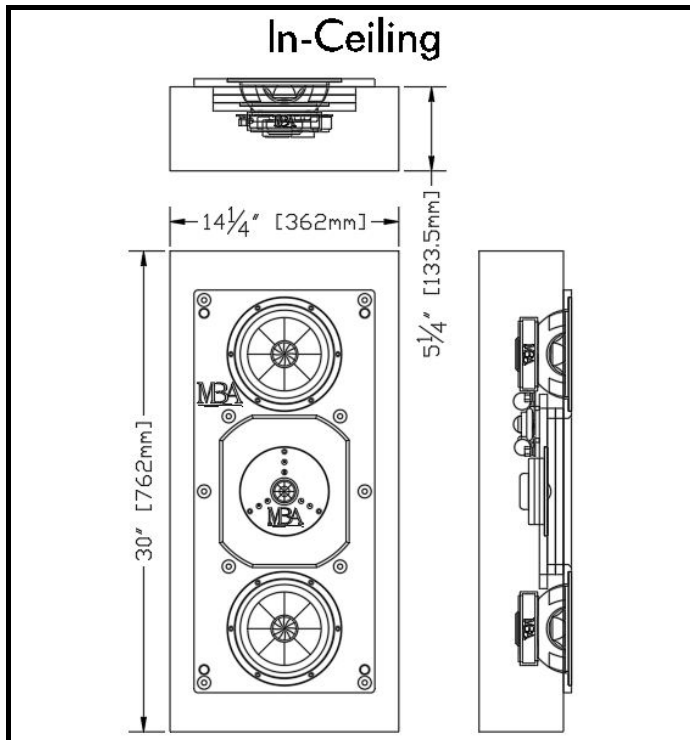
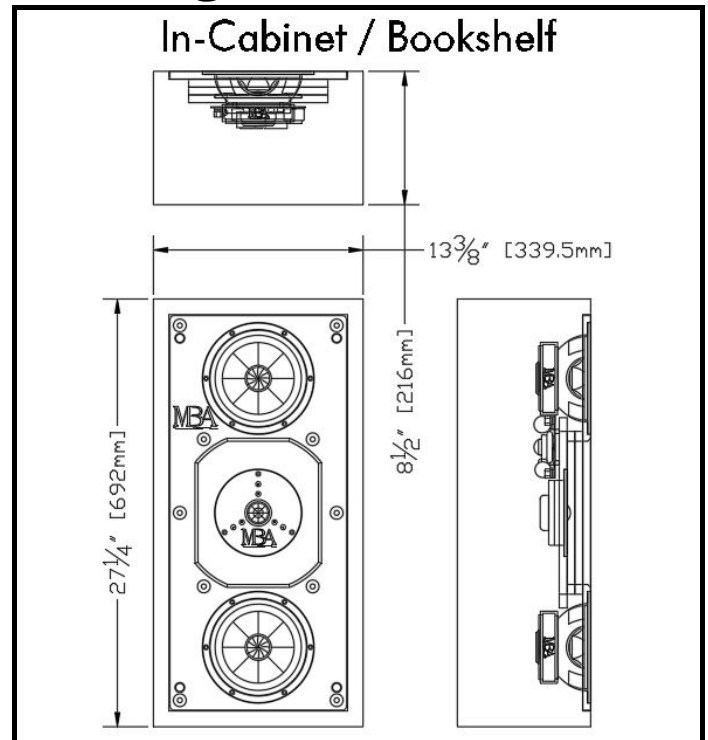
[Return To Product List](#)

MBX 900 - Other Configurations

MBA

MICHAEL BARR AUDIO TECHNOLOGY

Apart from the standard In-Wall configuration, this loudspeaker enclosure is also available in these other configurations; pricing may vary from standard In-Wall configuration. In addition to the options shown here, MBA can customize this loudspeaker to fit within virtually any other constraints your project may have, including custom L/W/H, C-shaped, L-shaped, notched, angled, soundbars, or combo boxes (combined with subwoofers). Just ask the MBA sales team for details of all your various options and pricing.



[Previous Page](#)

[Return To Product List](#)

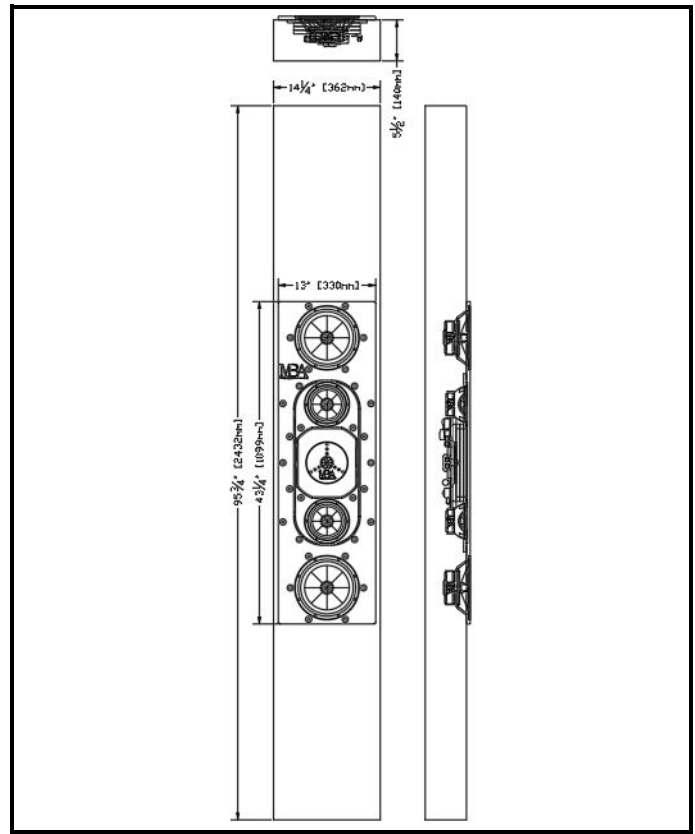
MBX 1000 IW



The MBX 1000 loudspeaker system physically aligns signal paths and integrates twin MBX 8" and twin MBX 5.5" copper phase plug curvilinear aluminum cone woofer drivers with the industry's highest-performing tweeter, the MBX 30mm silk-dome tweeter. Constructed with an HDF enclosure and a 1/2" thick MBX105 ultra high-density driver baffle (MBA proprietary fiber-reinforced composite).

Grilles

Most commonly, these loudspeakers are installed behind acoustic fabric and do not require grilles. However, many grille options exist.



[Click here to see a few grille examples](#)

[Alternate Configurations / Dimensions](#)

Specifications

Model MBX 1000 IW	Channels 2
Maximum SPL @ 1m 131dB	Frequency Response 29Hz-24kHz
Minimum Amplifier Power 500W @ 4Ω	Maximum Amplifier Power Unlimited* @ 4Ω
Nominal Impedance 4Ω	Sensitivity 90dB

**Unlimited max. clean power, when calibrated by Michael Barr Audio Technology w/ MBX DSP*

Recommended Amplification

MBX 1250.2 Amplifier

[Previous Page](#)

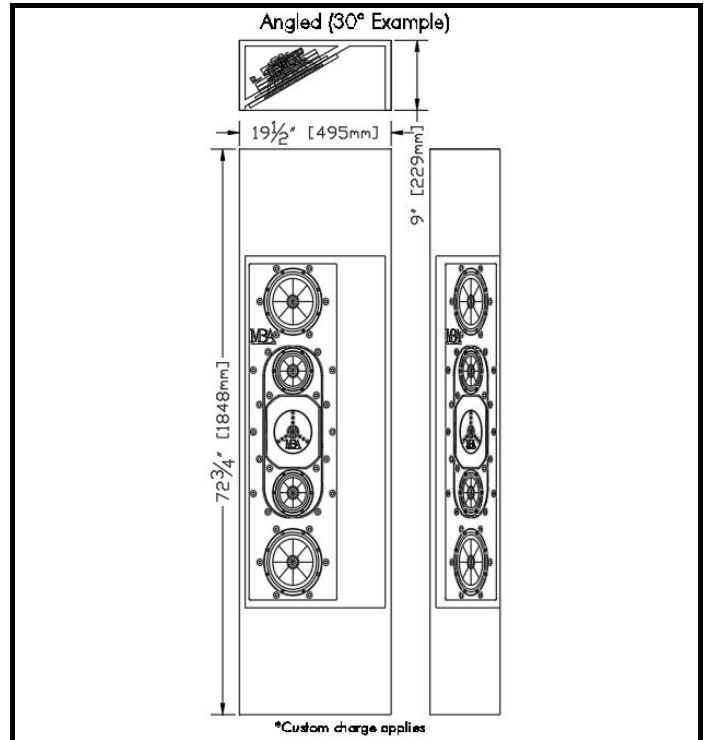
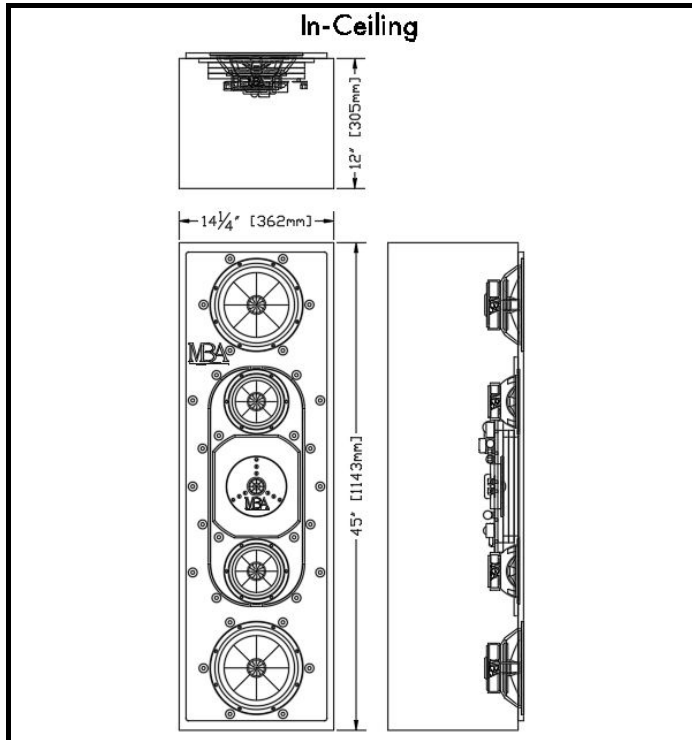
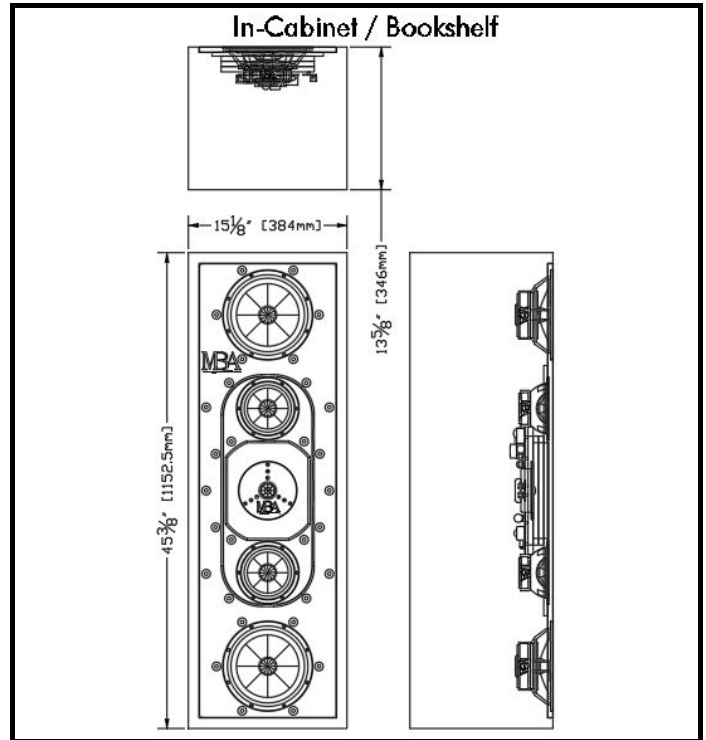
[Return To Product List](#)

MBX 1000 - Other Configurations

MBA

MICHAEL BARR AUDIO TECHNOLOGY

Apart from the standard In-Wall configuration, this loudspeaker enclosure is also available in these other configurations; pricing may vary from standard In-Wall configuration. In addition to the options shown here, MBA can customize this loudspeaker to fit within virtually any other constraints your project may have, including custom L/W/H, C-shaped, L-shaped, notched, angled, soundbars, or combo boxes (combined with subwoofers). Just ask the MBA sales team for details of all your various options and pricing.



[Previous Page](#)

[Return To Product List](#)

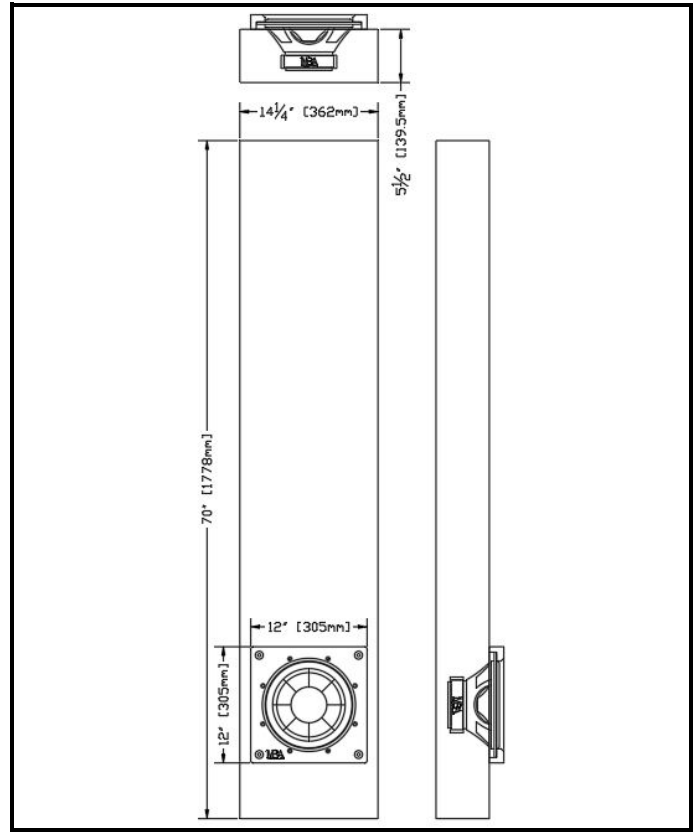
MBX S7 IW



This 10" curvilinear aluminum cone subwoofer will accurately reproduce low frequencies down below 22Hz. Constructed with an HDF enclosure and a 1.5" MBX105 ultra high-density driver baffle (MBA proprietary fiber-reinforced composite).

Grilles

Most commonly, these loudspeakers are installed behind acoustic fabric and do not require grilles. However, many grille options exist.



[Click here to see a few grille examples](#)

[Alternate Configurations / Dimensions](#)

Specifications

Model MBX S7 IW	Channels 1
Maximum SPL @ 1m 129dB	Frequency Response 22Hz-1kHz
Minimum Amplifier Power 300W @ 4Ω	Maximum Amplifier Power Unlimited* @ 4Ω
Nominal Impedance 4Ω	Sensitivity 90dB

**Unlimited max. clean power, when calibrated by Michael Barr Audio Technology w/ MBX DSP*

Recommended Amplification

[MBX 1250.2 Amplifier](#)

[MBA 300.8 Amplifier](#)

[Previous Page](#)

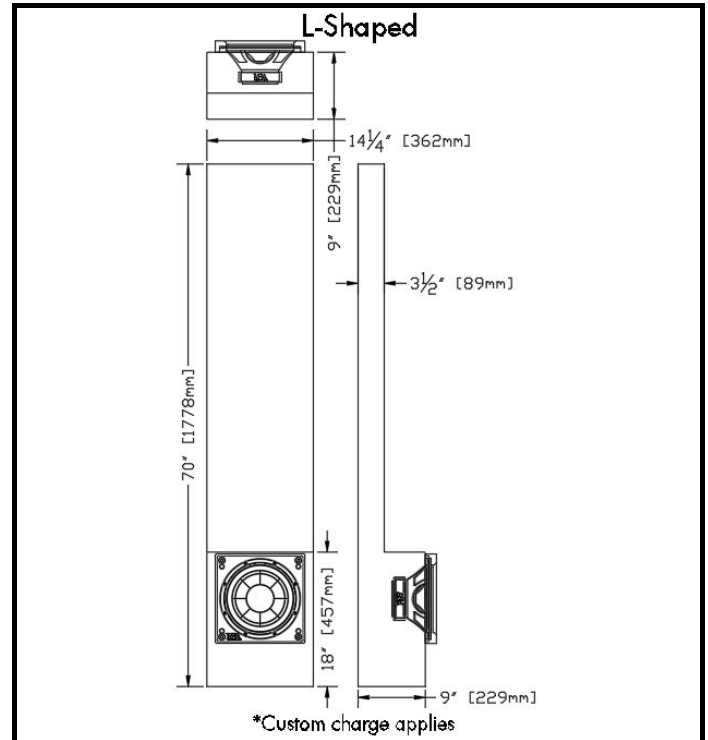
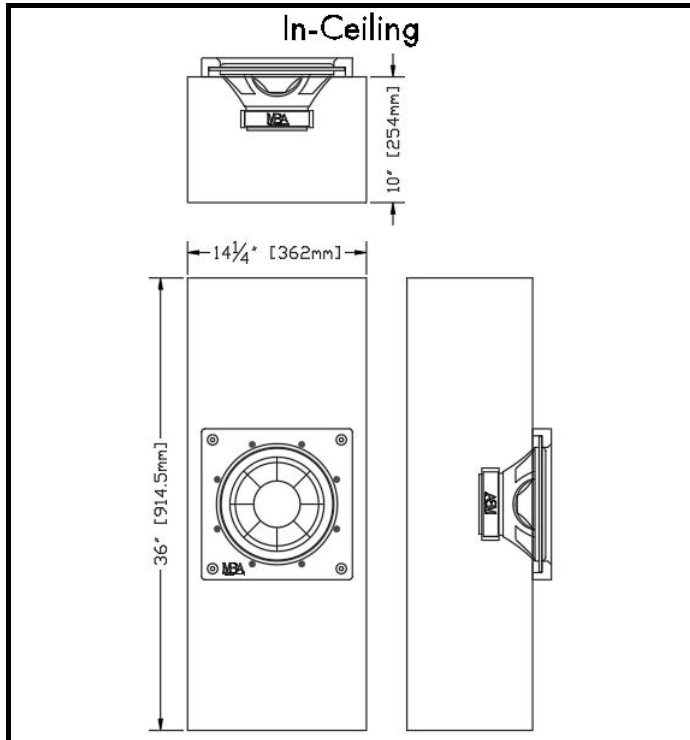
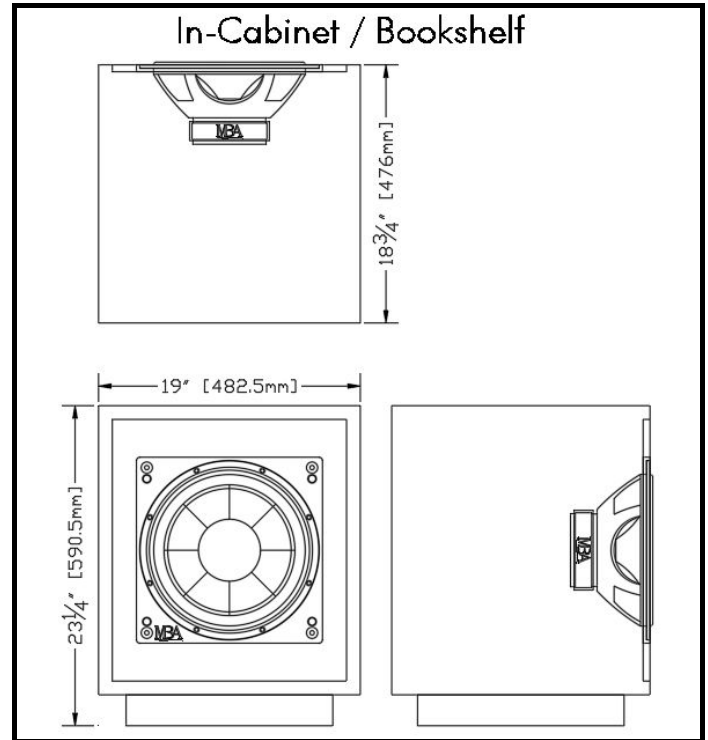
[Return To Product List](#)

MBX S7 - Other Configurations

MBA

MICHAEL BARR AUDIO TECHNOLOGY

Apart from the standard In-Wall configuration, this loudspeaker enclosure is also available in these other configurations; pricing may vary from standard In-Wall configuration. In addition to the options shown here, MBA can customize this loudspeaker to fit within virtually any other constraints your project may have, including custom L/W/H, C-shaped, L-shaped, notched, angled, soundbars, or combo boxes (combined with subwoofers). Just ask the MBA sales team for details of all your various options and pricing.



[Previous Page](#)

[Return To Product List](#)

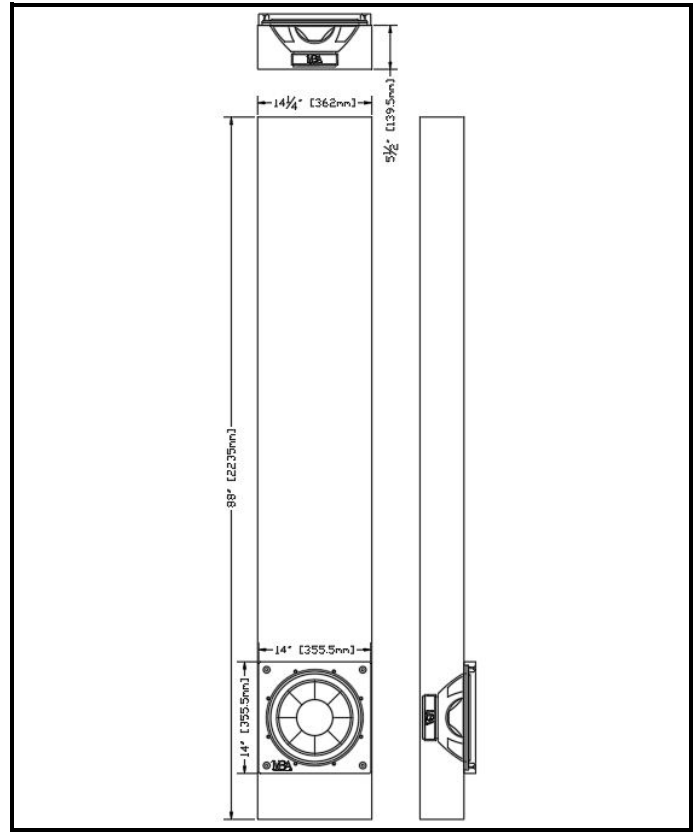
MBX S8 IW



This 12" curvilinear aluminum cone subwoofer will accurately reproduce low frequencies down below 19Hz. Constructed with an HDF enclosure and a 1.5" MBX105 ultra high-density driver baffle (MBA proprietary fiber-reinforced composite).

Grilles

Most commonly, these loudspeakers are installed behind acoustic fabric and do not require grilles. However, many grille options exist.



[Click here to see a few grille examples](#)

[Alternate Configurations / Dimensions](#)

Specifications

Model MBX S8 IW	Channels 1
Maximum SPL @ 1m 129dB	Frequency Response 20Hz-1kHz
Minimum Amplifier Power 300W @ 4Ω	Maximum Amplifier Power Unlimited* @ 4Ω
Nominal Impedance 4Ω	Sensitivity 90dB

**Unlimited max. clean power, when calibrated by Michael Barr Audio Technology w/ MBX DSP*

Recommended Amplification

[MBX 1250.2 Amplifier](#)

[MBA 300.8 Amplifier](#)

[Previous Page](#)

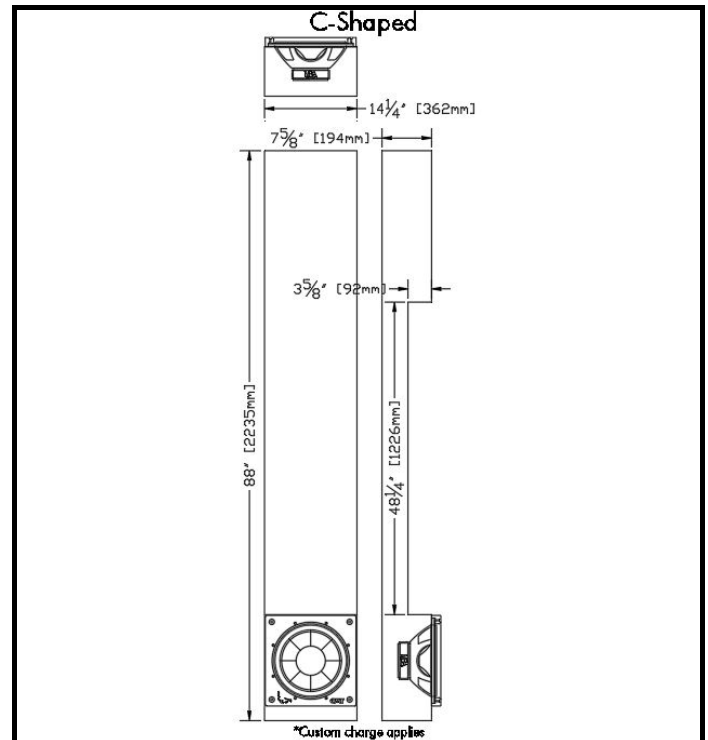
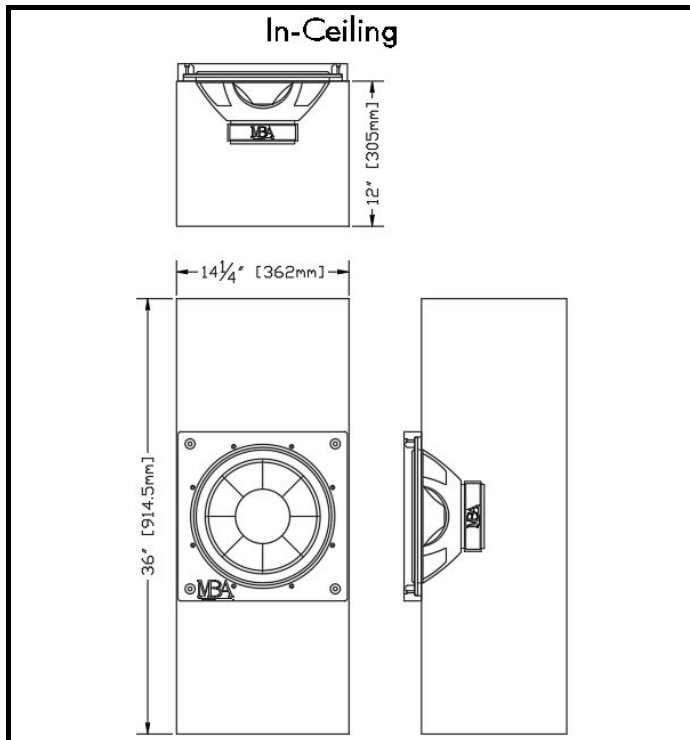
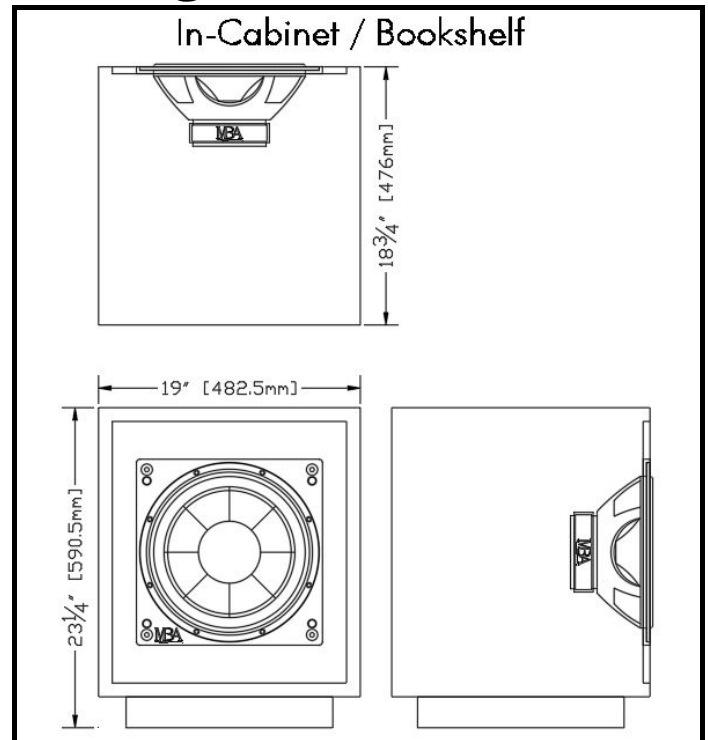
[Return To Product List](#)

MBX S8 - Other Configurations

MBA

MICHAEL BARR AUDIO TECHNOLOGY

Apart from the standard In-Wall configuration, this loudspeaker enclosure is also available in these other configurations; pricing may vary from standard In-Wall configuration. In addition to the options shown here, MBA can customize this loudspeaker to fit within virtually any other constraints your project may have, including custom L/W/H, C-shaped, L-shaped, notched, angled, soundbars, or combo boxes (combined with subwoofers). Just ask the MBA sales team for details of all your various options and pricing.



[Previous Page](#)

[Return To Product List](#)

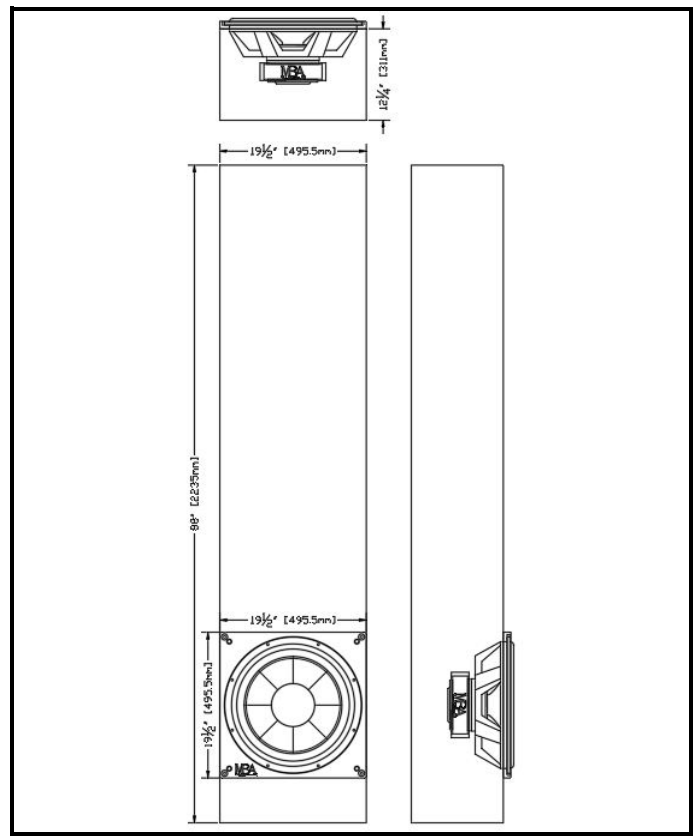
MBX S10 IW



This 18" machined aluminum cone, dual voice coil subwoofer will accurately reproduce low frequencies down to 15Hz. A massive ceramic magnet provides huge power-handling capabilities. Constructed with an HDF enclosure and a 2" MBX105 ultra high-density driver baffle (MBA proprietary fiber-reinforced composite).

Grilles

Most commonly, these loudspeakers are installed behind acoustic fabric and do not require grilles. However, many grille options exist.



[Click here to see a few grille examples](#)

[Alternate Configurations / Dimensions](#)

Specifications

Model MBX S10 IW	Channels 2
Maximum SPL @ 1m 136dB	Frequency Response 15Hz-1kHz
Minimum Amplifier Power 500W @ 4Ω	Maximum Amplifier Power Unlimited* @ 4Ω
Nominal Impedance 4Ω	Sensitivity 90dB

**Unlimited max. clean power, when calibrated by Michael Barr Audio Technology w/ MBX DSP*

Recommended Amplification

MBX 1250.2 Amplifier

[Previous Page](#)

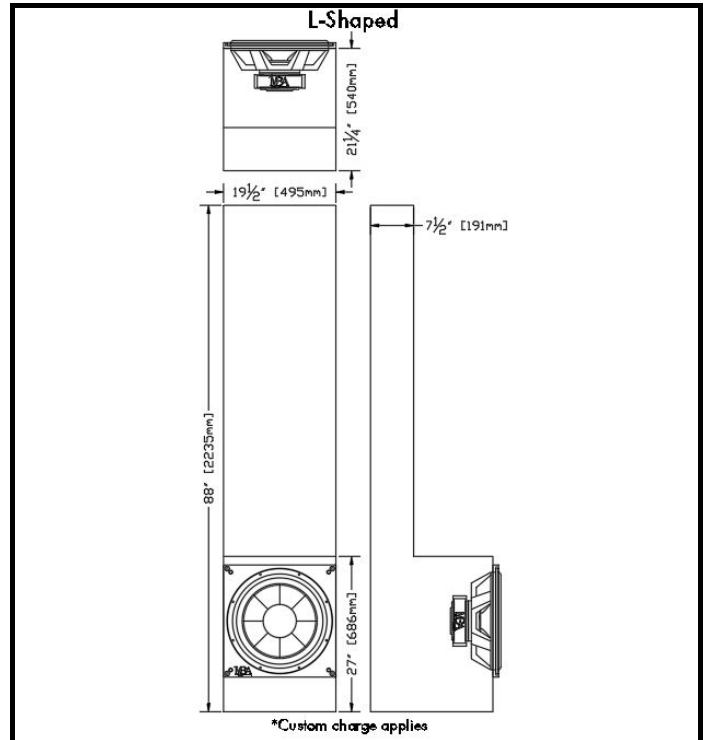
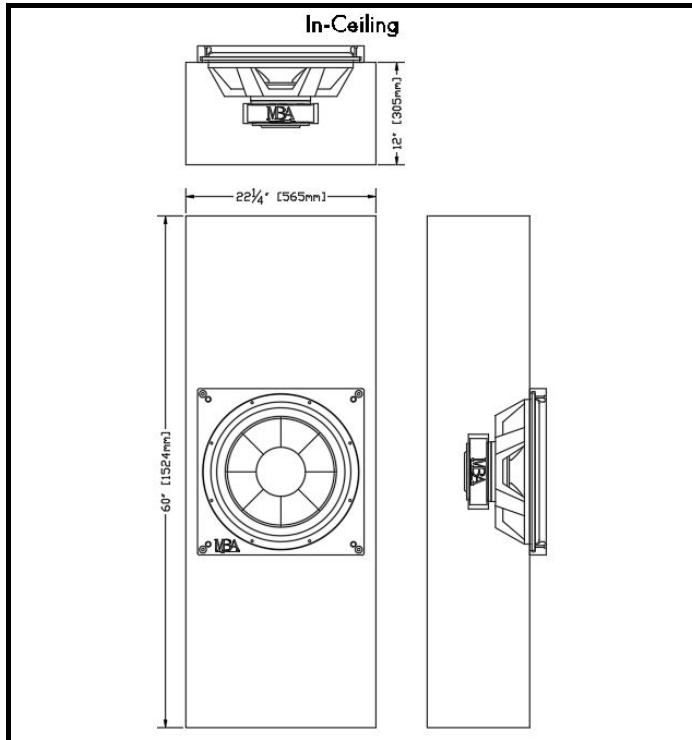
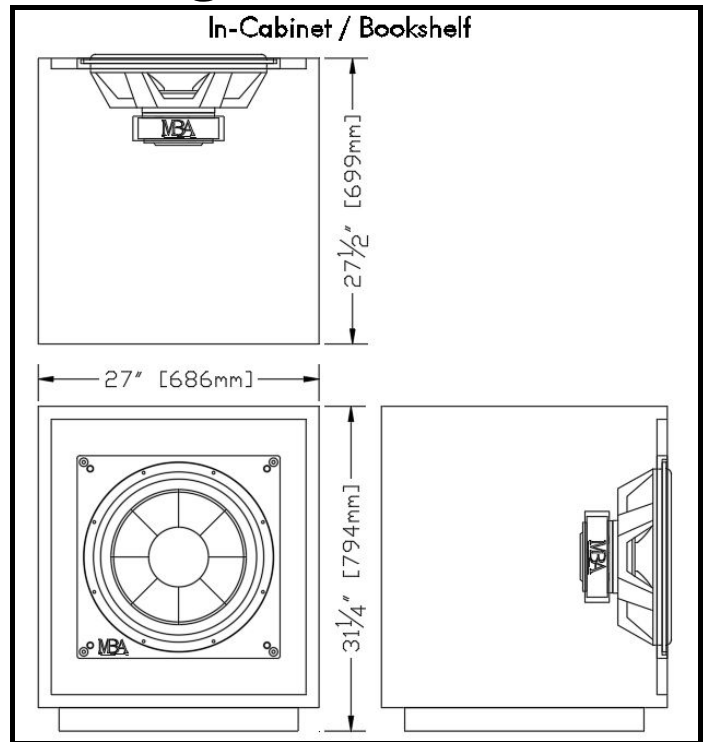
[Return To Product List](#)

MBX S10 - Other Configurations

MBA

MICHAEL BARR AUDIO TECHNOLOGY

Apart from the standard In-Wall configuration, this loudspeaker enclosure is also available in these other configurations; pricing may vary from standard In-Wall configuration. In addition to the options shown here, MBA can customize this loudspeaker to fit within virtually any other constraints your project may have, including custom L/W/H, C-shaped, L-shaped, notched, angled, soundbars, or combo boxes (combined with subwoofers). Just ask the MBA sales team for details of all your various options and pricing.



[Previous Page](#)

[Return To Product List](#)

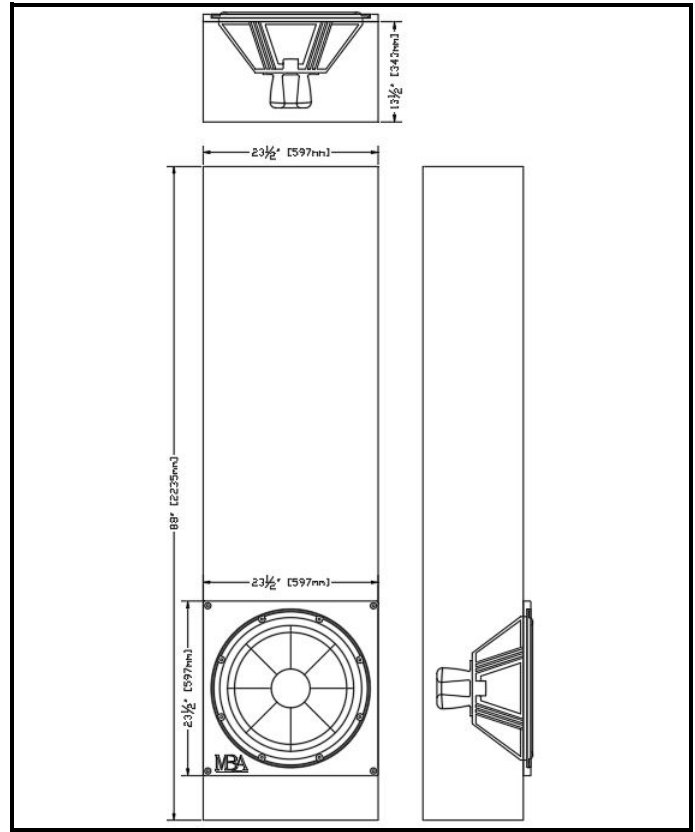
MBX S11 IW



This 22" machined aluminum cone subwoofer will accurately reproduce low frequencies down to 10Hz. A hand-constructed neodymium magnet provides massive power-handling capabilities. Constructed with an HDF enclosure and a 2" MBX105 ultra high-density driver baffle (MBA proprietary fiber-reinforced composite).

Grilles

Most commonly, these loudspeakers are installed behind acoustic fabric and do not require grilles. However, many grille options exist.



[Click here to see a few grille examples](#)

[Alternate Configurations / Dimensions](#)

Specifications

Model MBX S11 IW	Channels 1
Maximum SPL @ 1m 138dB	Frequency Response 10Hz-1kHz
Minimum Amplifier Power 500W @ 4Ω	Maximum Amplifier Power Unlimited* @ 4Ω
Nominal Impedance 4Ω	Sensitivity 90dB

**Unlimited max. clean power, when calibrated by Michael Barr Audio Technology w/ MBX DSP*

Recommended Amplification

MBX 1250.2 Amplifier

[Previous Page](#)

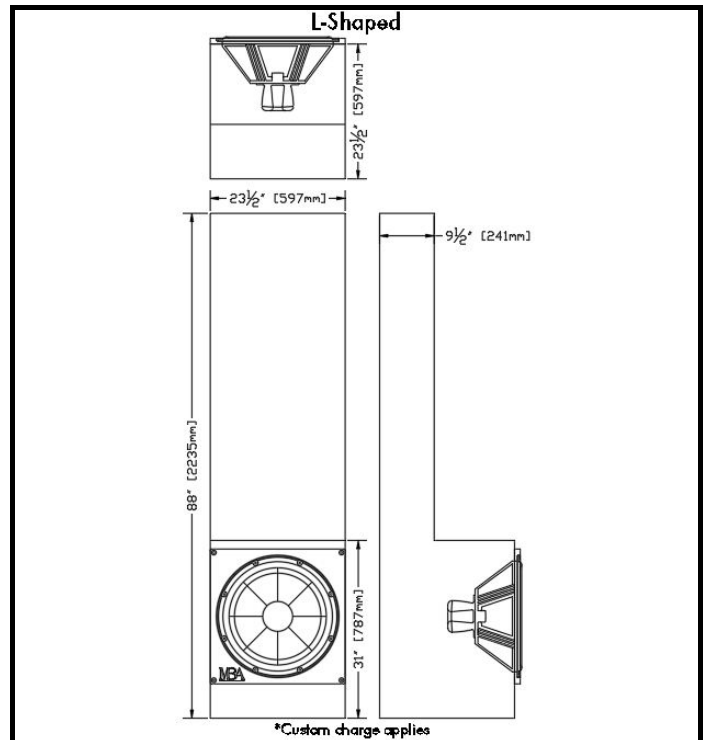
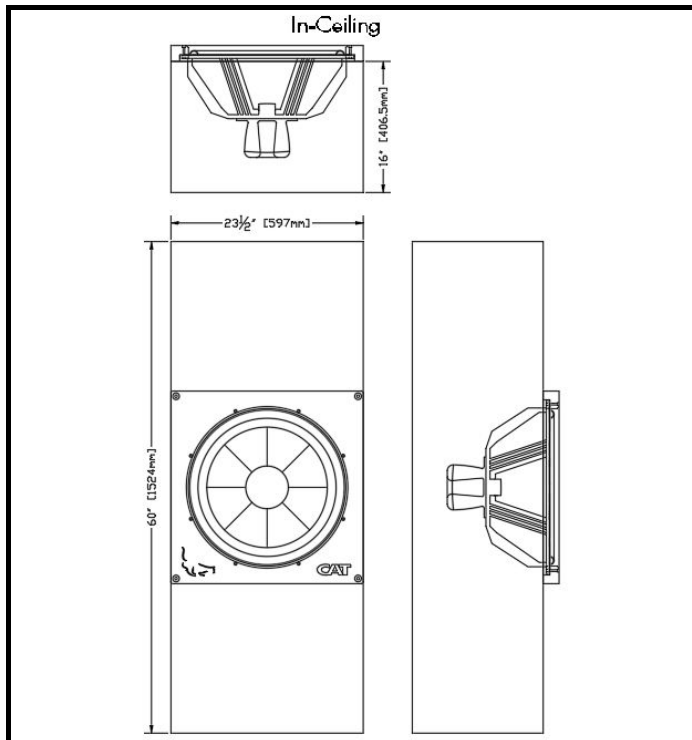
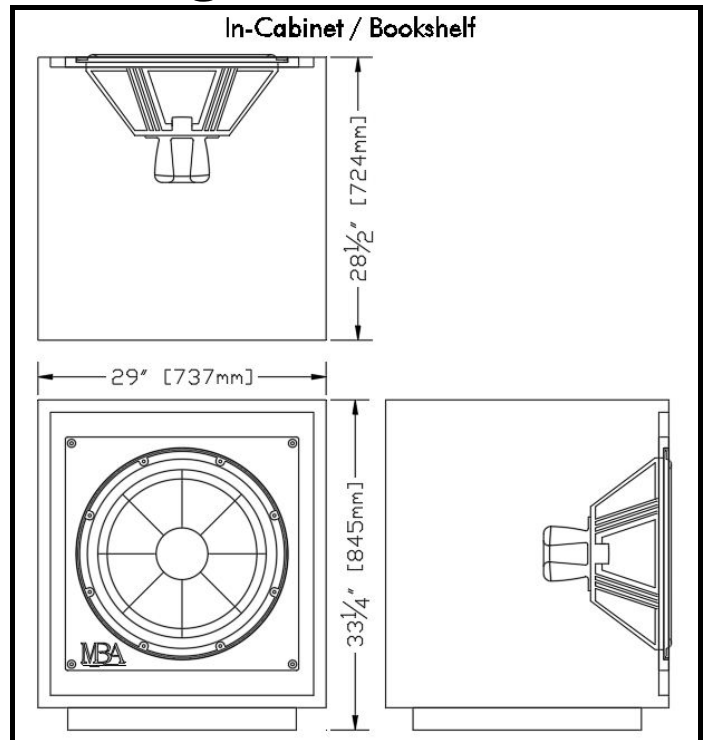
[Return To Product List](#)

MBX S11 - Other Configurations

MBA

MICHAEL BARR AUDIO TECHNOLOGY

Apart from the standard In-Wall configuration, this loudspeaker enclosure is also available in these other configurations; pricing may vary from standard In-Wall configuration. In addition to the options shown here, MBA can customize this loudspeaker to fit within virtually any other constraints your project may have, including custom L/W/H, C-shaped, L-shaped, notched, angled, soundbars, or combo boxes (combined with subwoofers). Just ask the MBA sales team for details of all your various options and pricing.



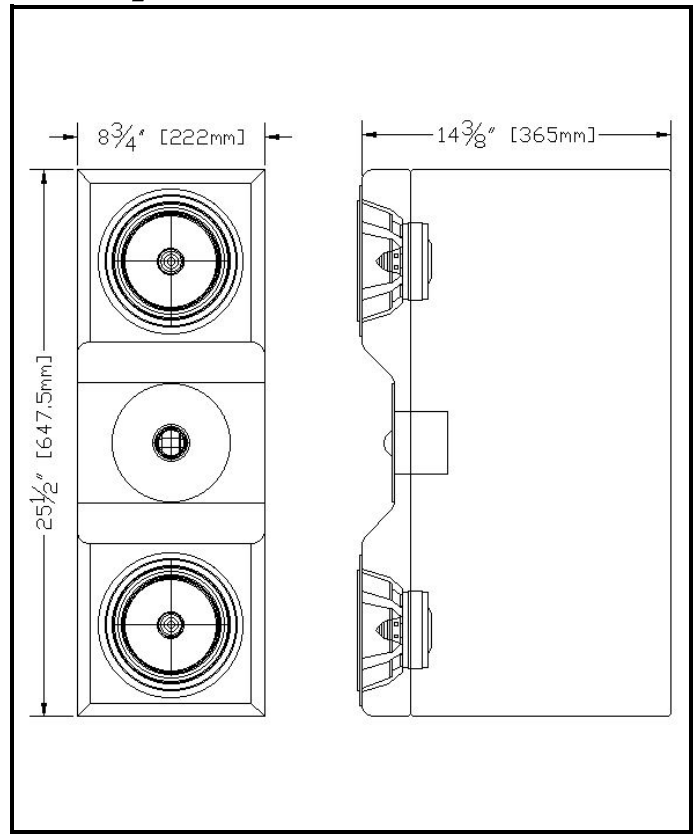
[Previous Page](#)

[Return To Product List](#)

MBX Trinity



The MBX Trinity speaker system physically aligns signal paths and integrates twin 6.5" copper phase plug curvilinear aluminum cone woofers and the industry's highest-performing silk dome tweeter. Enclosure and solid face constructed entirely of our proprietary MBX105 ultra-high density resin composite material.



Specifications

Model MBX Trinity	Channels 1
Maximum SPL @ 1m 131dB	Frequency Response 24Hz-24kHz
Minimum Amplifier Power 300W @ 4Ω	Maximum Amplifier Power Unlimited* @ 4Ω
Nominal Impedance 4Ω	Sensitivity 90dB

**Unlimited max. clean power, when calibrated by Michael Barr Audio Technology w/ MBX DSP*

Recommended Amplification

MBX 1250.2 Amplifier

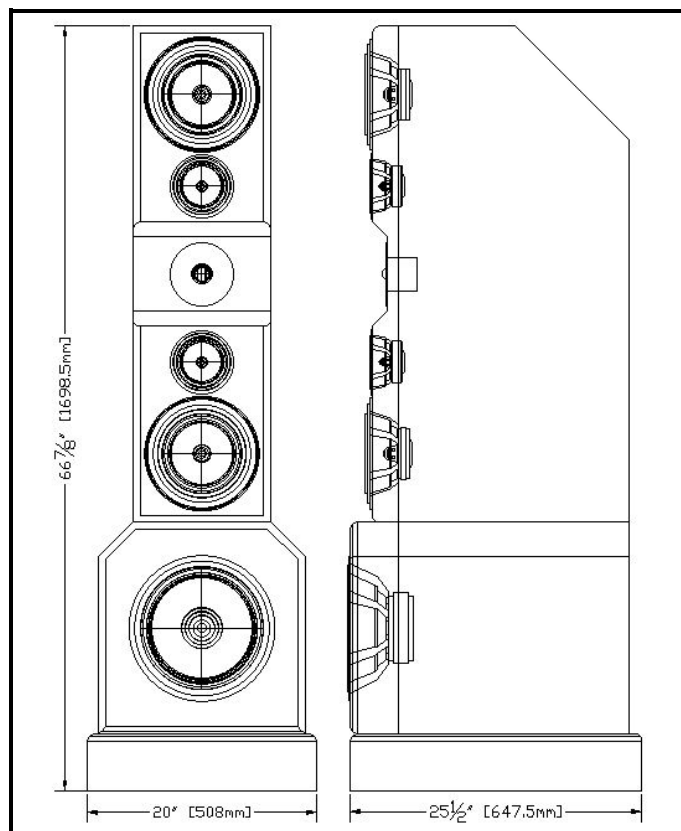
[Previous Page](#)

[Return To Product List](#)

MBX Yosemite



The MBX Yosemite speaker system physically aligns signal paths and integrates twin 8" and twin 5.5" copper phase plug curvilinear aluminum cone woofers and the industry's highest-performing silk dome tweeter. Paired with a 12" MBX subwoofer also with curvilinear aluminum cones. Enclosures and solid faces constructed entirely of our proprietary MBX105 ultra-high density resin composite material. This speaker accurately reproduces all frequencies within the range of human hearing.



Specifications

Model MBX Yosemite	Channels 3
Maximum SPL @ 1m 131dB	Frequency Response 20Hz-24kHz
Minimum Amplifier Power 500W @ 4Ω	Maximum Amplifier Power Unlimited* @ 4Ω
Nominal Impedance 4Ω	Sensitivity 90dB

**Unlimited max. clean power, when calibrated by Michael Barr Audio Technology w/ MBX DSP*

Recommended Amplification

MBX 1250.2 Amplifier

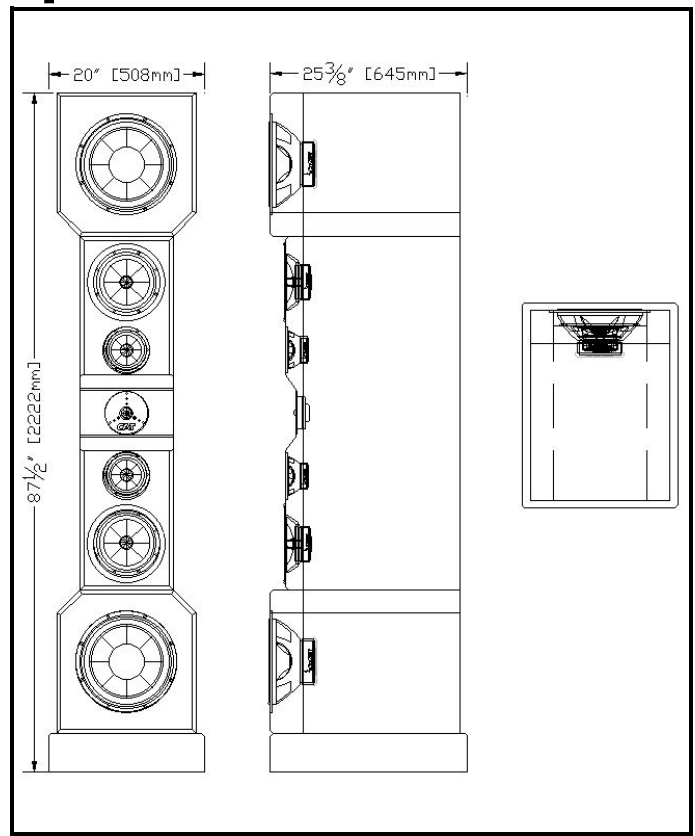
[Previous Page](#)

[Return To Product List](#)

MBX Sequoia



The MBX Sequoia speaker system physically aligns signal paths and integrates twin 8" and twin 5.5" copper phase plug curvilinear aluminum cone woofers and the industry's highest-performing silk dome tweeter. Flanked by twin 12" MBX subwoofers also with curvilinear aluminum cones. Enclosures and solid faces constructed entirely of our proprietary MBX105 ultra-high density resin composite material. This speaker accurately reproduces all frequencies within the range of human hearing.



Specifications

Model MBX Sequoia	Channels 4
Maximum SPL @ 1m 131dB	Frequency Response 20Hz-24kHz
Minimum Amplifier Power 500W @ 4Ω	Maximum Amplifier Power Unlimited* @ 4Ω
Nominal Impedance 4Ω	Sensitivity 90dB

**Unlimited max. clean power, when calibrated by Michael Barr Audio Technology w/ MBX DSP*

Recommended Amplification

MBX 1250.2 Amplifier

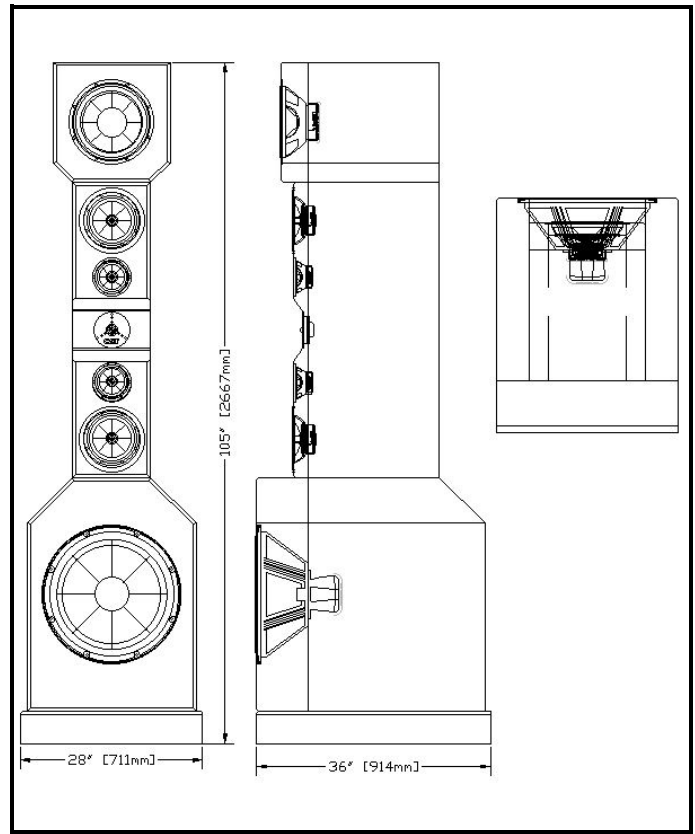
[Previous Page](#)

[Return To Product List](#)

MBX FX



The MBX FX speaker system physically aligns signal paths and integrates twin 8" and twin 5.5" copper phase plug curvilinear aluminum cone woofers and the industry's highest-performing silk dome tweeter. Flanked by a 22" MBX Machined-aluminum cone neodymium-magnet subwoofer and a 12" MBX subwoofer with curvilinear aluminum cone. Enclosures and solid faces constructed entirely of our proprietary MBX105 ultra-high density resin composite material. This speaker accurately reproduces all frequencies within the range of human hearing.



Specifications

Model MBX FX	Channels 4
Maximum SPL @ 1m 135dB	Frequency Response 10Hz-24kHz
Minimum Amplifier Power 500W @ 4Ω	Maximum Amplifier Power Unlimited* @ 4Ω
Nominal Impedance 4Ω	Sensitivity 90dB

**Unlimited max. clean power, when calibrated by Michael Barr Audio Technology w/ MBX DSP*

Recommended Amplification

MBX 1250.2 Amplifier

[Previous Page](#)

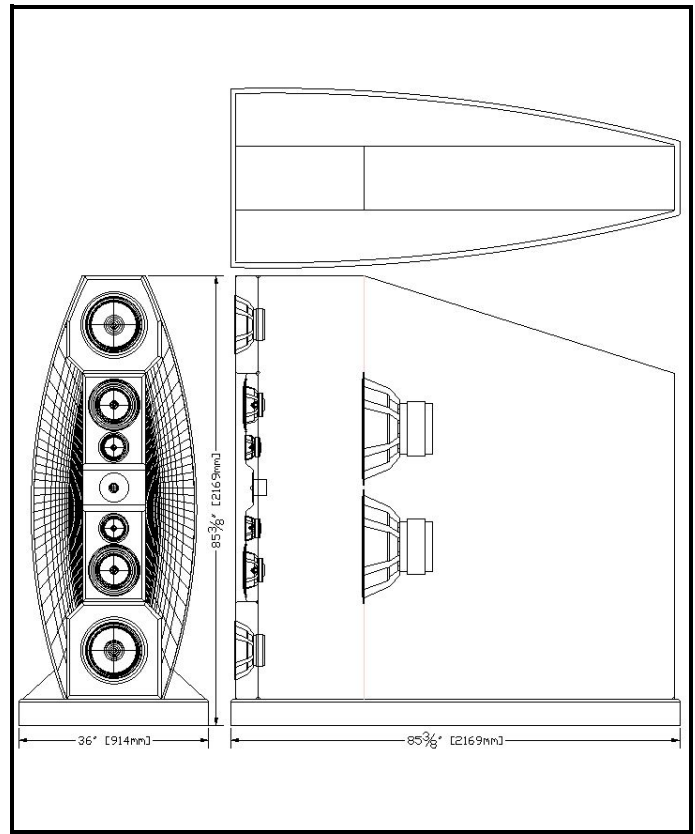
[Return To Product List](#)



MBX FXX

The MBX FXX speaker system physically aligns signal paths and integrates twin 8" and twin 5.5" copper phase plug curvilinear aluminum cone woofers and the industry's highest-performing silk dome tweeter. Flanked by twin 12" MBX subwoofers also with curvilinear aluminum cones, plus twin 22" MBX machined-aluminum neodymium subwoofers firing out from around it.

Enclosures and solid faces constructed entirely of our proprietary MBX105 ultra-high density resin composite material. This speaker accurately reproduces all frequencies within the range of human hearing.



Specifications

Model MBX FXX	Channels 6
Maximum SPL @ 1m 138dB	Frequency Response 10Hz-24kHz
Minimum Amplifier Power 500W @ 4Ω	Maximum Amplifier Power Unlimited* @ 4Ω
Nominal Impedance 4Ω	Sensitivity 90dB

**Unlimited max. clean power, when calibrated by Michael Barr Audio Technology w/ MBX DSP*

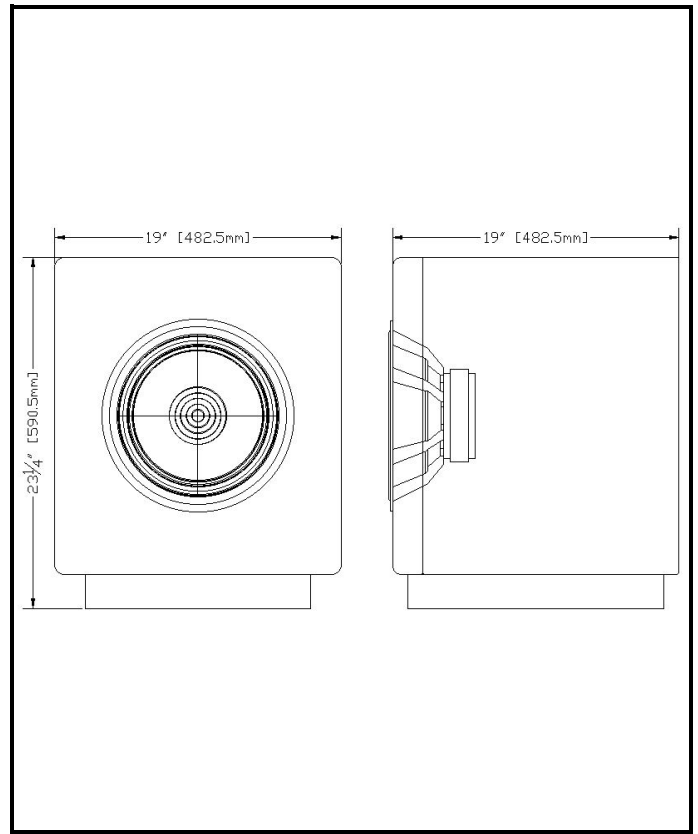
Recommended Amplification

MBX 1250.2 Amplifier

[Previous Page](#)

[Return To Product List](#)

MBX Miramar



This 12" curvilinear aluminum cone subwoofer will accurately reproduce low frequencies down below 19Hz. Enclosures and solid faces constructed entirely of our proprietary MBX105 ultra-high density resin composite material.

Specifications

Model MBX Miramar	Channels 1
Maximum SPL @ 1m 129dB	Frequency Response 20Hz-1kHz
Minimum Amplifier Power 300W @ 4Ω	Maximum Amplifier Power Unlimited* @ 4Ω
Nominal Impedance 4Ω	Sensitivity 90dB

**Unlimited max. clean power, when calibrated by Michael Barr Audio Technology w/ MBX DSP*

Recommended Amplification

MBX 1250.2 Amplifier

MBA 300.8 Amplifier

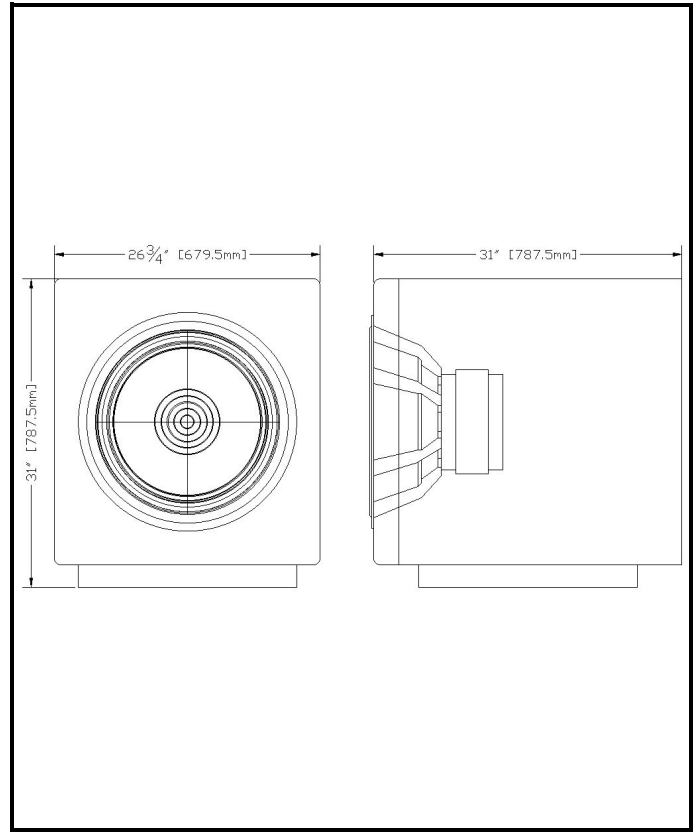
[Previous Page](#)

[Return To Product List](#)

MBX Diablo



This 22" machined aluminum cone subwoofer will accurately reproduce low frequencies down to 10Hz. A hand-constructed neodymium magnet provides massive power-handling capabilities. Enclosures and solid faces constructed entirely of our proprietary MBX105 ultra-high density resin composite material.



Specifications

Model MBX Diablo	Channels 1
Maximum SPL @ 1m 138dB	Frequency Response 10Hz-1kHz
Minimum Amplifier Power 500W @ 4Ω	Maximum Amplifier Power Unlimited* @ 4Ω
Nominal Impedence 4Ω	Sensitivity 90dB

**Unlimited max. clean power, when calibrated by Michael Barr Audio Technology w/ MBX DSP*

Recommended Amplification

MBX 1250.2 Amplifier

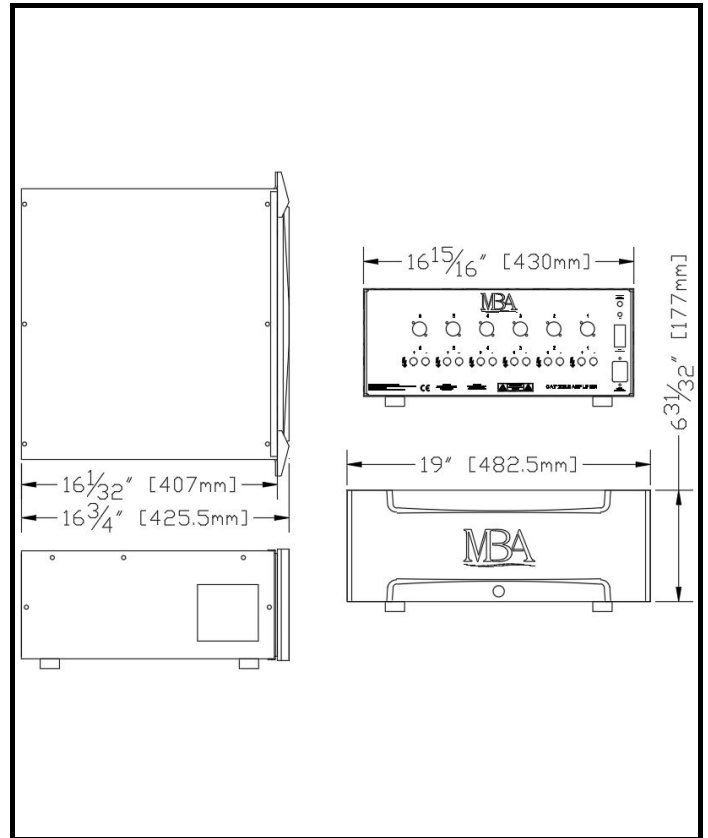
[Previous Page](#)

[Return To Product List](#)

MBA 200.6 Amplifier



The MBA 200.6 High Definition Power Amplifier delivers fast, accurate & clean power. Utilizing large, custom, audiophile quality, high-current toroidal transformers, filter capacitors and output transistors. This amp delivers over 200 pure watts x 6 channels into 4 ohm loads and can properly power demanding loudspeaker loads down to 2 ohms! Gold flashed circuit boards, and XLR isolation transformer protected inputs are some key performance features!



Specifications

Model MBA 200.6	Signal to Noise Ration "A Weighted" > 120dB Below FTC Full Power
Heat Dissipation 2350 BTU/Hour	Crosstalk > -100dB from 20Hz-20kHz
Amplifier Class Class AB	Slew Rate 40 Volts/ μ s
Output Power (All Ch. Driven) 200W @ 4 Ω	Mains and Power Supply C19 (20 Amp)
Power Supply Type Toroidal	Power Outputs 6
Main Rating 115V 15A / 230V 8A	Inputs (Quantity and Type) 6 - XLR
Frequency Response 5Hz-55kHz +/- 3dB	Weight 43 kg
Distortion THD+N (20Hz-10kHz) < 0.3% @ FTC Full Power	Dimensions (W x H x D) 483mm x 177mm x 419mm

[Previous Page](#)

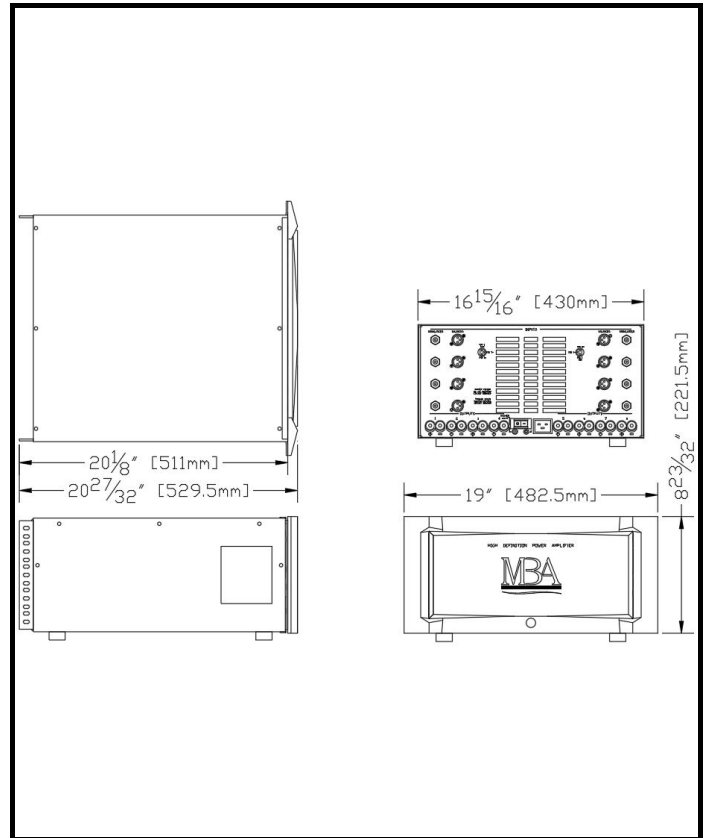
[Return To Product List](#)

MBA 300.8 SE Amplifier

MBA

MICHAEL BARR AUDIO TECHNOLOGY

The MBA 300.8 SE High Definition Power Amplifier delivers fast, accurate & clean power. Utilizing extremely large, custom, audiophile quality, high-current toroidal transformers, filter capacitors and output transistors. This amp delivers over 300 pure watts x 8 channels into 4 ohm loads and can properly power demanding loudspeaker loads down to 2 ohms! Tunnel ram quiet-fan cooled, gold flashed circuit boards, XLR isolation transformer protected inputs & "Lightwave" optical comparator protection are some key performance features!



Specifications

Model MBA 300.8 SE	Signal to Noise Ration "A Weighted" > 120dB Below FTC Full Power
Heat Dissipation 2350 BTU/Hour	Crosstalk > -100dB from 20Hz-20kHz
Amplifier Class Class AB	Slew Rate 40 Volts/μs
Output Power (All Ch. Driven) 300W @ 4Ω	Mains and Power Supply C19 (20 Amp)
Power Supply Type Toroidal	Power Outputs 8
Main Rating 115V 15A / 230V 8A	Inputs (Quantity and Type) 8 - XLR
Frequency Response 5Hz-55kHz +/- 3dB	Weight 61 kg
Distortion THD+N (20Hz-10kHz) < 0.3% @ FTC Full Power	Dimensions (W x H x D) 483mm x 222mm x 530mm

[Previous Page](#)

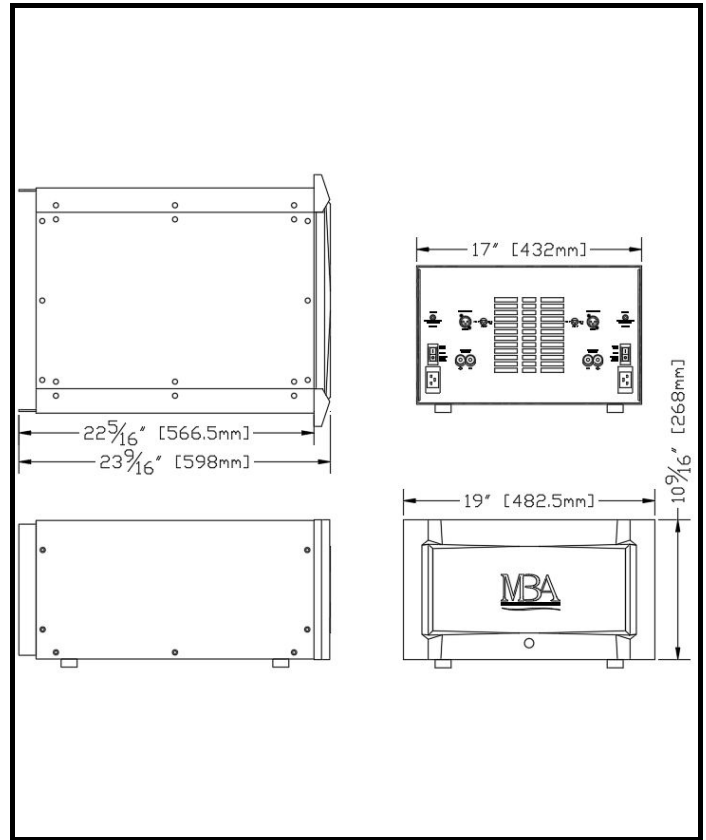
[Return To Product List](#)

MBX 1250.2 FD XPR Amplifier

MBA

MICHAEL BARR AUDIO TECHNOLOGY

The MBX 1250.2 FD XPR ultra high performance amplifier incorporates two 1250(+) watt mono-block "FD" fully differential output stage amplifiers in one chassis. This design doubles the slew rate, providing substantially increased speed, accuracy, musical realism, and far less listening fatigue at all volume levels. With 40 audiophile output transistors, over one Farad (1,000,000uF) of filter capacitance, and two proprietary toroidal transformers. Reliability (thanks to state of the art "Lightwave" protection), audiophile performance, "FD" speed and massive power (to drive the relentless demands of proprietary MBX drivers - accuracy, speed, excursion, & extremely low impedance). All showcased in this industrially designed, CNC milled amplifier chassis that evokes the finest exotic automobiles!



Specifications

Model MBX 1250.2 FD XPR	Signal to Noise Ratio "A Weighted" > 120dB Below FTC Full Power
Heat Dissipation 2550 BTU/Hour	Crosstalk > -100dB from 20Hz-20kHz
Amplifier Class Class AB	Slew Rate 40 Volts/μs
Output Power (All Ch. Driven) 1250W @ 4Ω	Mains and Power Supply (2x) C19 (20 Amp)
Power Supply Type Toroidal	Power Outputs 2
Main Rating (2x) 115V 15A / 230V 8A	Inputs (Quantity and Type) 2 - XLR
Frequency Response 5Hz-55kHz +/- 3dB	Weight 65 kg
Distortion THD+N (20Hz-10kHz) < 0.3% @ FTC Full Power	Dimensions (W x H x D) 483mm x 267mm x 597mm

[Previous Page](#)

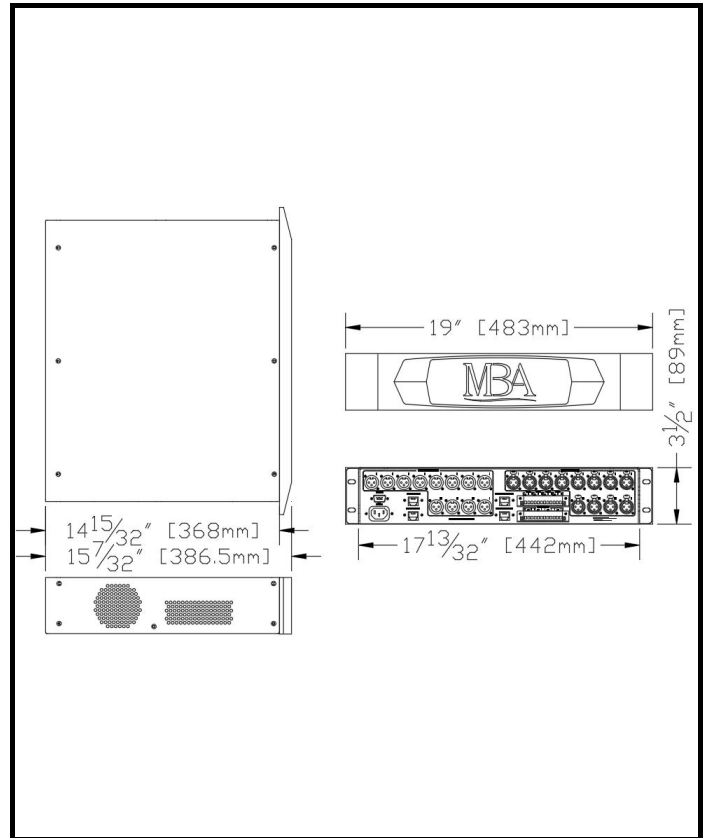
[Return To Product List](#)

MBX DSP 12x12

MBA

MICHAEL BARR AUDIO TECHNOLOGY

The MBX DSP 12x12 is a Dante-enabled, 12-XLR-input, 12-XLR-output, high power digital signal processor. With a medical-grade linear power supply, shock-isolating mainboard mounts, and a machined billet aluminum faceplate. Two ethernet ports for control system integration, two Dante I/O ports supporting 128 Dante channels, optional USB audio port, ultra-low-noise high-fidelity ADCs and DACs.



Specifications

Model
MBX DSP 12x12

THD + Noise
< -95dB; 1kHz @ +15dBu

Heat Dissipation
180 BTU/Hour

Crosstalk
> -100dB from 20Hz-20kHz

Raw Processing Capacity
500 MIPS, 6 GigaFLOPS, 2 GMACS

Latency
1.04 ms

Dynamic Range (A/D/A)
114 dB, A-weighted

Mains and Power Supply
C13 (15 Amp)

Delay Memory
174 Seconds (Sum of all channels)

Inputs (Quantity and Type)
12 - XLR

Main Rating
115V 15A / 230V 8A

Outputs (Quantity and Type)
12 - XLR

Frequency Response
20Hz-20kHz +/- 0.5dB

Weight
6.3 kg

Dante I/O
64 Inputs, 64 Outputs

Dimensions (W x H x D)
483mm x 177mm x 419mm

[Previous Page](#)

[Return To Product List](#)

Custom Loudspeakers



Your imagination is the limit! MBA engineers can customize any of our products to suit your precise needs. Whether it's a simple height/width/length modification or an imaginative fully custom-built loudspeaker of highest grade materials and finishes of your choice, MBA can make any loudspeaker you dream of. Ask your MBA sales team member for an estimate to make your custom loudspeaker project a reality!



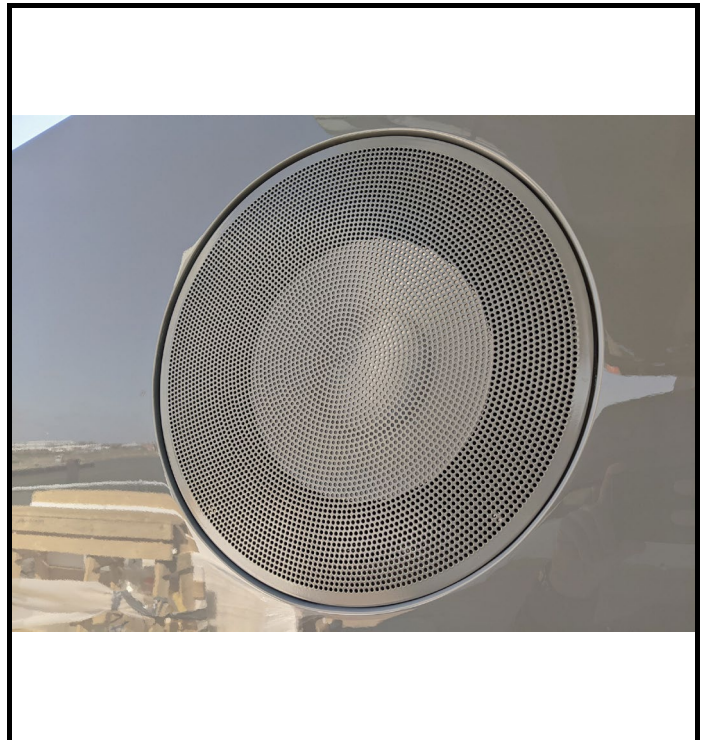
[Previous Page](#)

[Return To Product List](#)

Grille Options



Custom grilles are limited only by your imagination! MBA can manufacture custom grilles in CNC milled billet aluminum, CNC milled fiberglass epoxy resin, fabric wrapped, stamped steel, or any other material of your choice. Here are just a few examples of potential grille style choices offered.



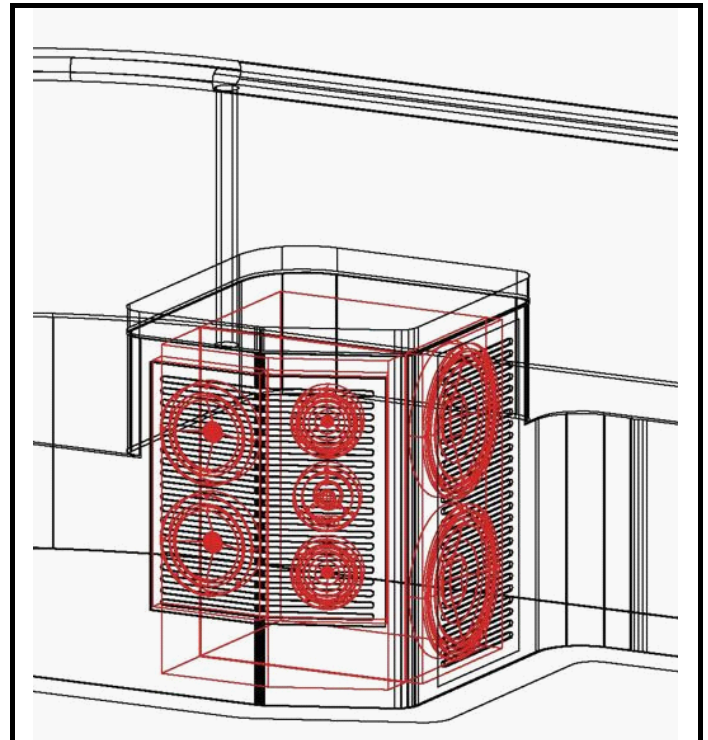
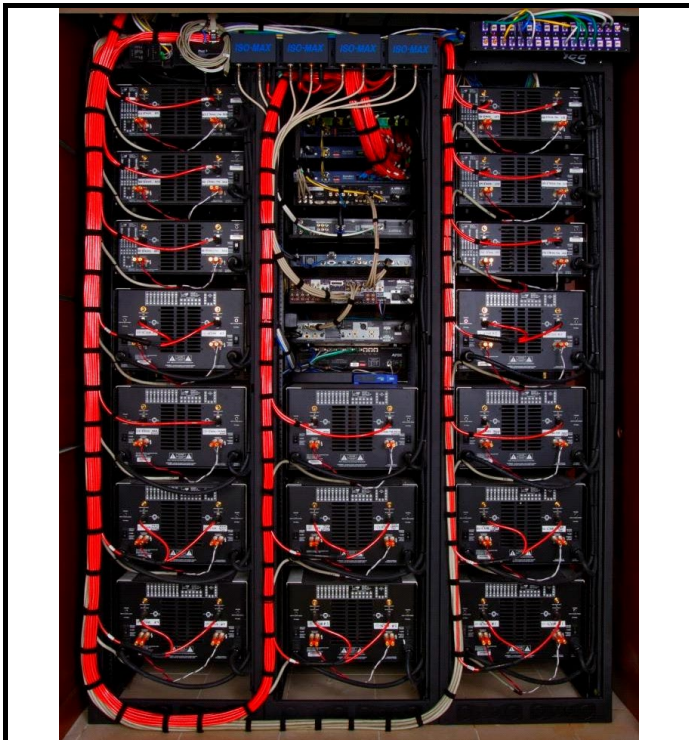
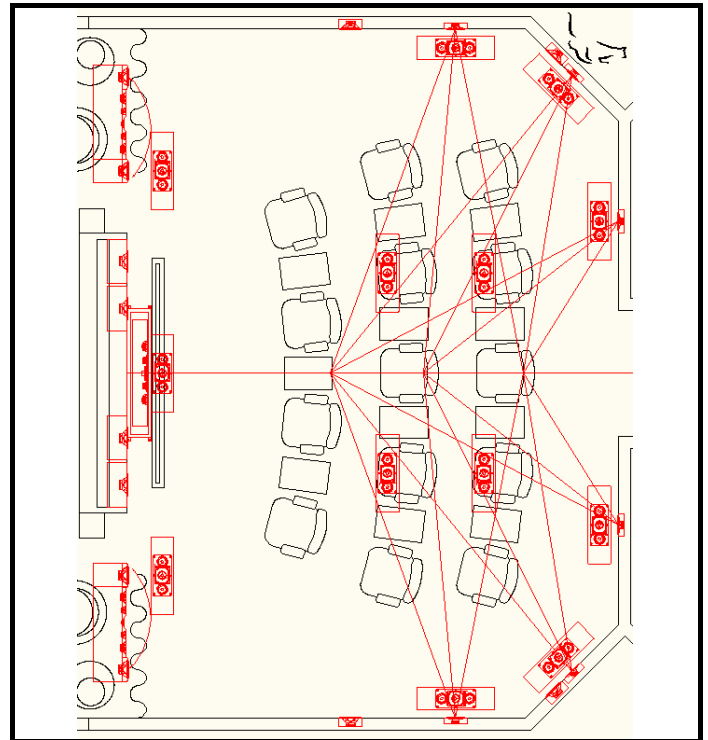
[Previous Page](#)

[Return To Product List](#)

Off-Site Engineering



MBA offers engineering services including room acoustical treatment plans, loudspeaker placements and customizations, DSP programming, rack layouts and wiring schematics, custom CNC milled parts, and any other engineering work your project may need. MBA engineers can coordinate with your designers, integrators, architects, ship builders, and client teams to fully customize the best audio systems for your project.



[Previous Page](#)

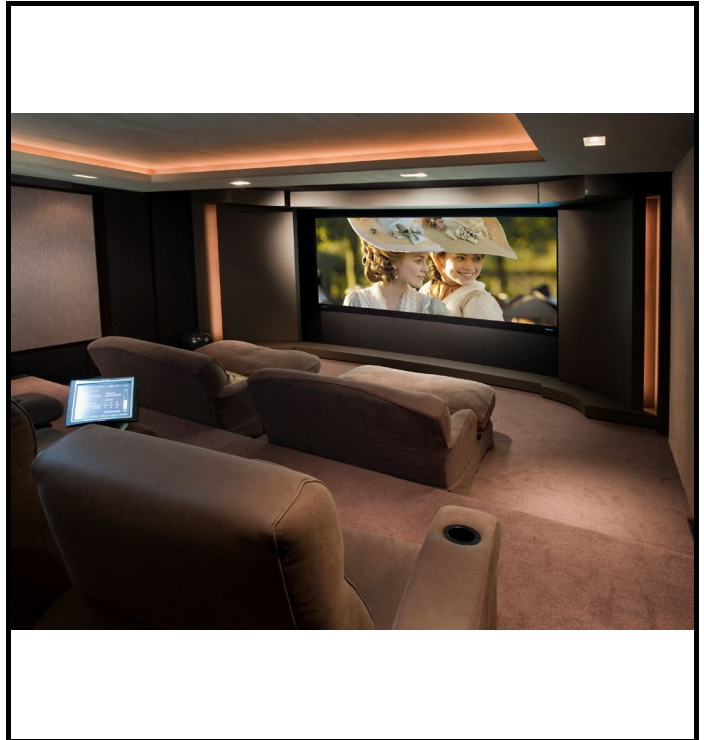
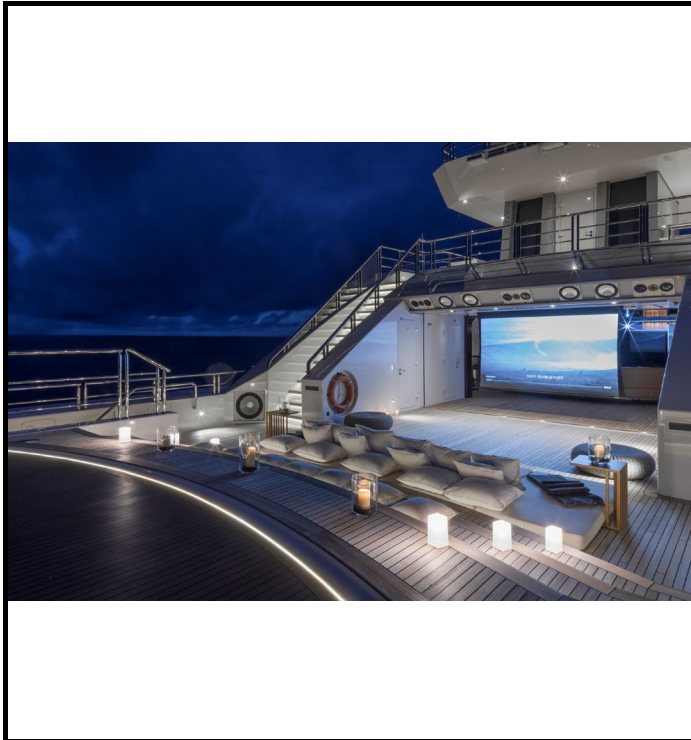
[Return To Product List](#)

On-Site Engineering

MBA

MICHAEL BARR AUDIO TECHNOLOGY

After your audio system is installed, MBA engineers will travel to your project anywhere in the world, and using state-of-the-art equipment and fully customized DSP programs, we will calibrate your audio system to perform at the best possible quality and output levels. MBA engineers will work with your integration team and project managers to customize any required presets or controls, such as having different EQ settings for screen masking or window shades open or closed, motorized speaker mount positions, or even different furniture configurations or listening preferences. At the client's request, the calibration will even be custom-tuned to their exact preferences. The number of days required varies by system scope, there is a minimum of two days for any system. Transportation and lodging will be billed separately.



[Previous Page](#)

[Return To Product List](#)

Soundbars



Soundbars are made to your exact specifications. Use the table to the right to determine which speaker types can fit within your constraints. Our engineers can design custom soundbars to fit virtually any requirements and desires you may have! See just a few of the possible examples below.

Grilles

All MBA soundbars are available with any type of grill you may want. Options include billet aluminum, perforated stainless steel, FR4, fabric-wrapped (with our own acoustically-transparent fabric, or any fabric provided by your team which we can test in our lab for acoustical transparency), and many other options!

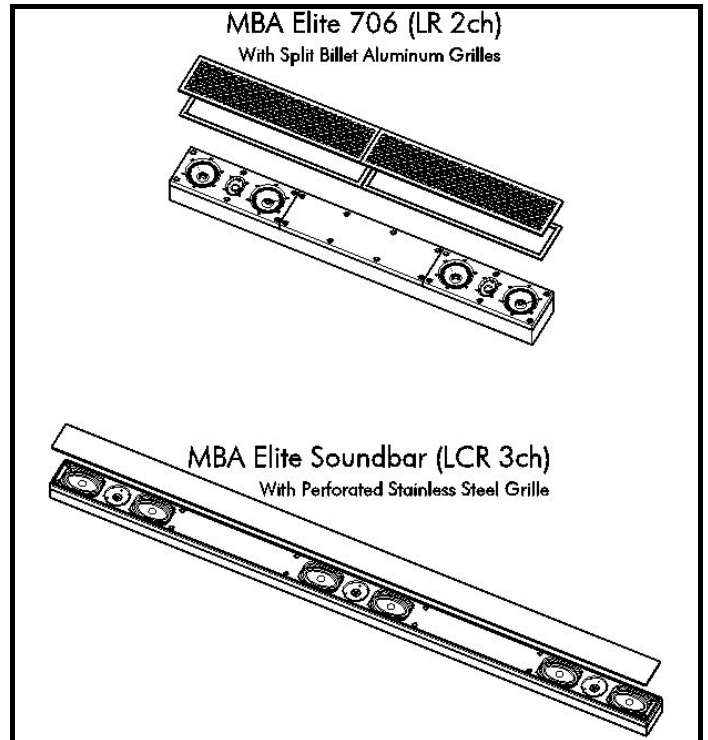
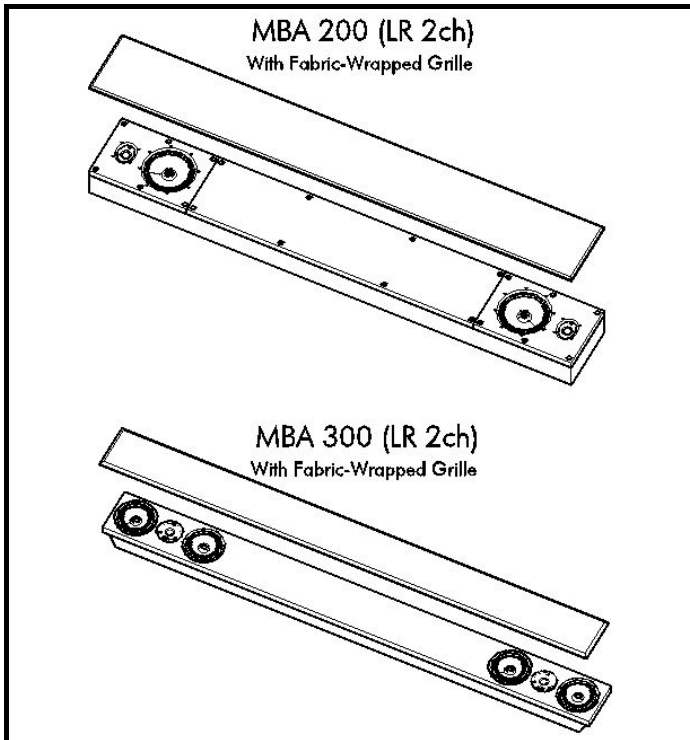
[Click here to see a few grille examples](#)

Soundbar Dimensional Requirements

Model	Type	Min. Height	Min. Depth*	Min. Width	Max. Width**
MBA 100	LR (2ch)	6.5"	4.5"	24.375"	96"
MBA 200	LR (2ch)	8.25"	4.5"	30"	96"
MBA 300	LR (2ch)	5.5"	4.5"	34.25"	96"
	LCR (3ch)	5.5"	4.5"	51.375"	96"
MBA 400	LR (2ch)	6.5"	4.5"	39"	96"
	LCR (3ch)	6.5"	4.5"	58.5"	96"
MBA Elite 200EX	LR (2ch)	8.25"	4.5"	30"	96"
MBA Elite 400EX	LR (2ch)	6.5"	4.5"	42"	96"
	LCR (3ch)	6.5"	4.5"	63"	96"
MBA Elite 706	LR (2ch)	5.5"	4.5"	39"	96"
	LCR (3ch)	5.5"	4.5"	58.5"	96"
MBA Elite 700	LR (2ch)	6.5"	4.5"	42"	96"
	LCR (3ch)	6.5"	4.5"	63"	96"
MBA Elite Soundbar	LR (2ch)	4.875"	3.125"	36"	96"
	LCR (3ch)	4.875"	3.125"	54"	96"

*Minimum depth includes faceplates & driver excursion, but excludes grill

** For shipping reasons, maximum width for a 1-piece soundbar is 96". If more width is desired, MBA can manufacture a 2 or 3 piece soundbar.



[Previous Page](#)

[Return To Product List](#)

Two-Channel Systems



These Two-Channel systems include the loudspeakers, subwoofers, amplifier, and DSP (if applicable) for a complete stereo audio system. Any of these systems can be customized to meet any budget or desire, just ask the MBA sales team for details of all your various options and pricing. Pricing excludes audio source equipment, preamplifier, and cables/wires, taxes/duties, and travel.

Coronado

- 2 MBA Coronado Loudspeakers
- 2 MBA San Andreas 12" Subwoofers
- 1 MBA 200.6 Amplifier

DSP not included, requires a preamp capable of frequency-dividing

Mendocino

- 2 MBA Elite Mendocino Loudspeakers
- 1 MBA 300.8 Amplifier
- 1 MBX DSP 12x12
- 2 Days of On-Site Engineering

Sequoia

- 2 MBX Sequoia Loudspeakers
- 2 MBX Diablo 22" Subwoofers
- 5 MBX 1250.2 Amplifiers
- 1 MBX DSP 12x12
- 2 Days of On-Site Engineering

[Previous Page](#)

[Return To Product List](#)

Cinema Systems



These Cinema systems include the loudspeakers, subwoofers, amplifiers, and DSP (if applicable) for a complete cinema audio system. Any of these systems can be customized to meet any budget or desire, just ask the MBA sales team for details of all your various options and pricing. Pricing excludes custom charges, audio source equipment, preamplifier, and cables/wires, taxes/duties, and travel.

MBA 7.1

- 3 MBA 300 IW
- 2 MBA S2 IW
- 4 MBA 100 IW
- 2 MBA 200.6 Amplifiers

DSP not included, all signal processing to be done in cinema preamp

MBA Elite 7.4.1 Atmos

- 3 MBA Elite 700 IW
- 4 MBA S4 IW
- 6 MBA Elite 400EX IW
- 4 MBA Elite 200EX IW
- 4 MBA Elite S5 IW
- 3 MBA 300.8 Amplifier
- 2 MBX DSP 12x12
- 2 Days On-Site Engineering
- 8 Hours Off-Site Engineering

MBX 15.8.1 Pro Atmos

- 3 MBX 1000 IW
- 6 MBX S8 IW
- 8 MBX S11 IW
- 12 MBA Elite 700 IW
- 8 MBA Elite 200EX IW
- 6 MBA S3 IW
- 10 MBX 1250.2 Amplifiers
- 4 MBA 300.8 Amplifiers
- 4 MBX DSP 12x12
- 3 Days On-Site Engineering
- 16 Hours Off-Site Engineering

[Previous Page](#)

[Return To Product List](#)